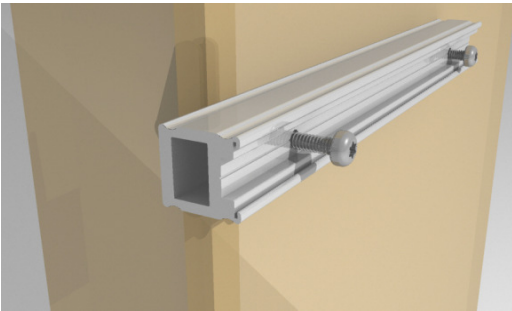


PALADIN “EVOLUTION”

RAIL INSTALLATION OVERVIEW

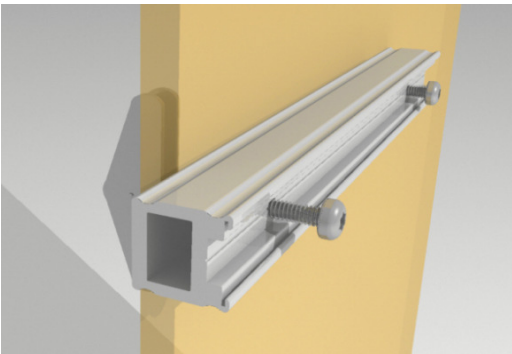
Rail may be mounted to any surface or backing/wall type.
Installer MUST use a MINIMUM of ¼” mounting hardware.
Contact manufacturer with any installation questions at number shown below.
Refer to the relevant elevation drawings and other specification documentation for quantity and location details for each project.

Stud Mount



1. Position and level the “Evolution” rail on the wall at the correct height and location as shown on the elevation drawings. Mark location on wall.
2. Align holes in rail with studs. If required, drill new holes into rail to align with stud locations.
3. Using a 1/4” x 2.5” sheet metal screw, securely fasten the screws through the rail and drywall and into the studs. Ensure a tight fit between rail and wall.

Drywall Mount



1. Position and level the “Evolution” rail on the wall at the correct height and location as shown on the elevation drawings. Mark location on wall.
2. Mark through each of the pre-drilled holes in the rail onto the drywall.
3. Remove the rail and securely install 1/4” toggle-type wall anchors in locations as marked.

Wall Anchor types A + B



4. Realign the rail holes with the installed wall anchors and tightly secure the rail to the wall with the 1/4” x 2.5” wall anchor machine screws. Ensure a tight fit between rail and wall.

