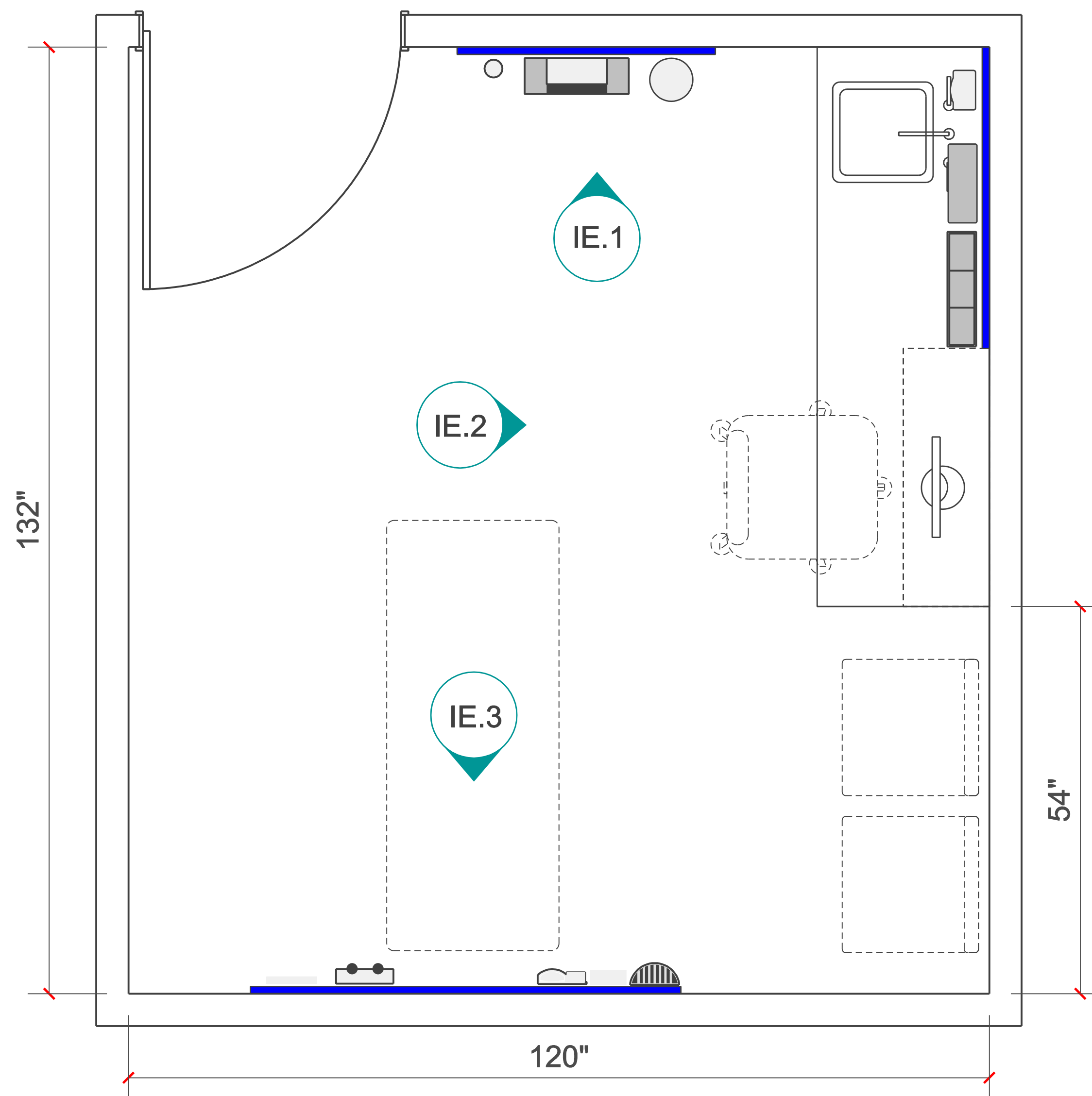
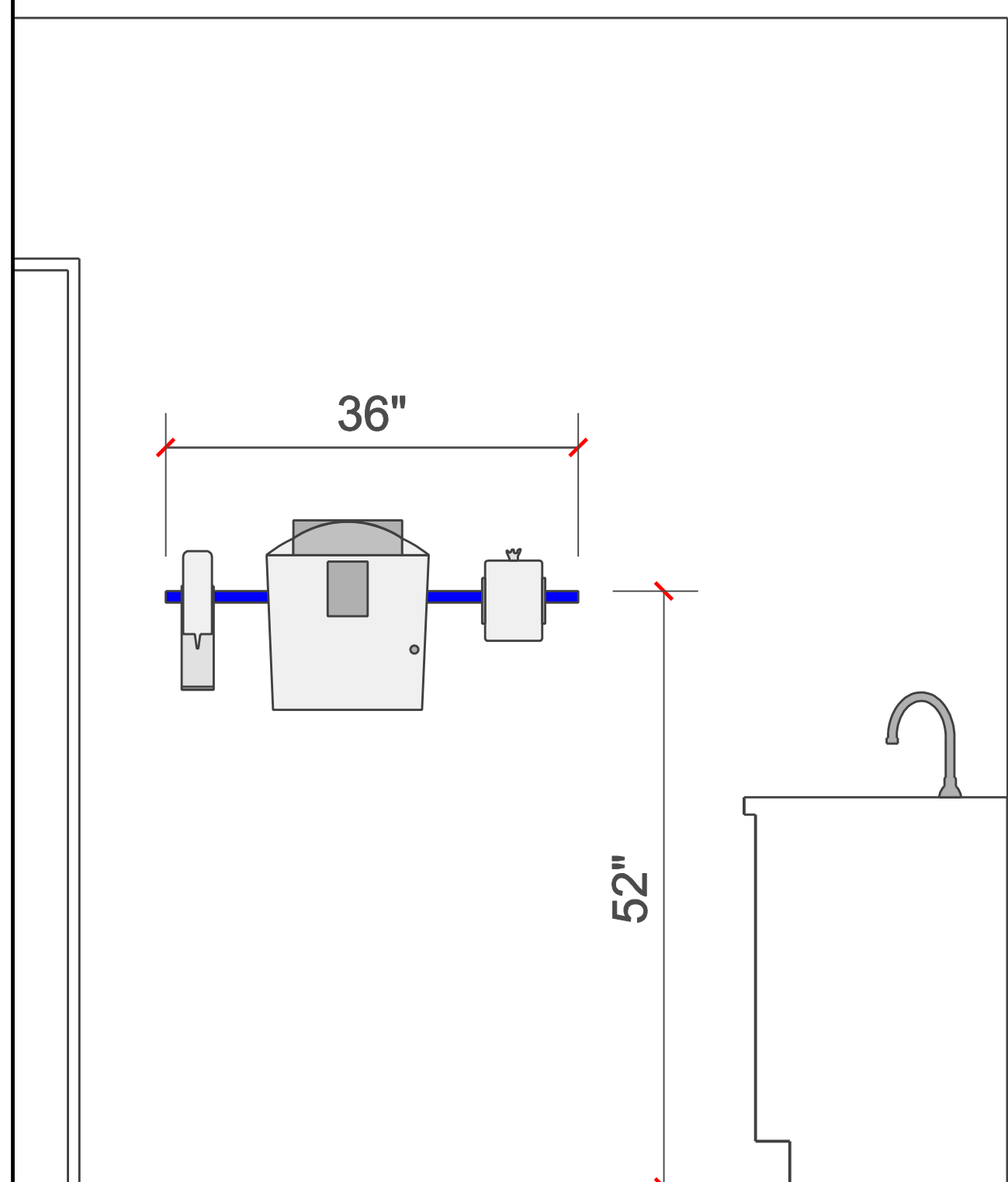


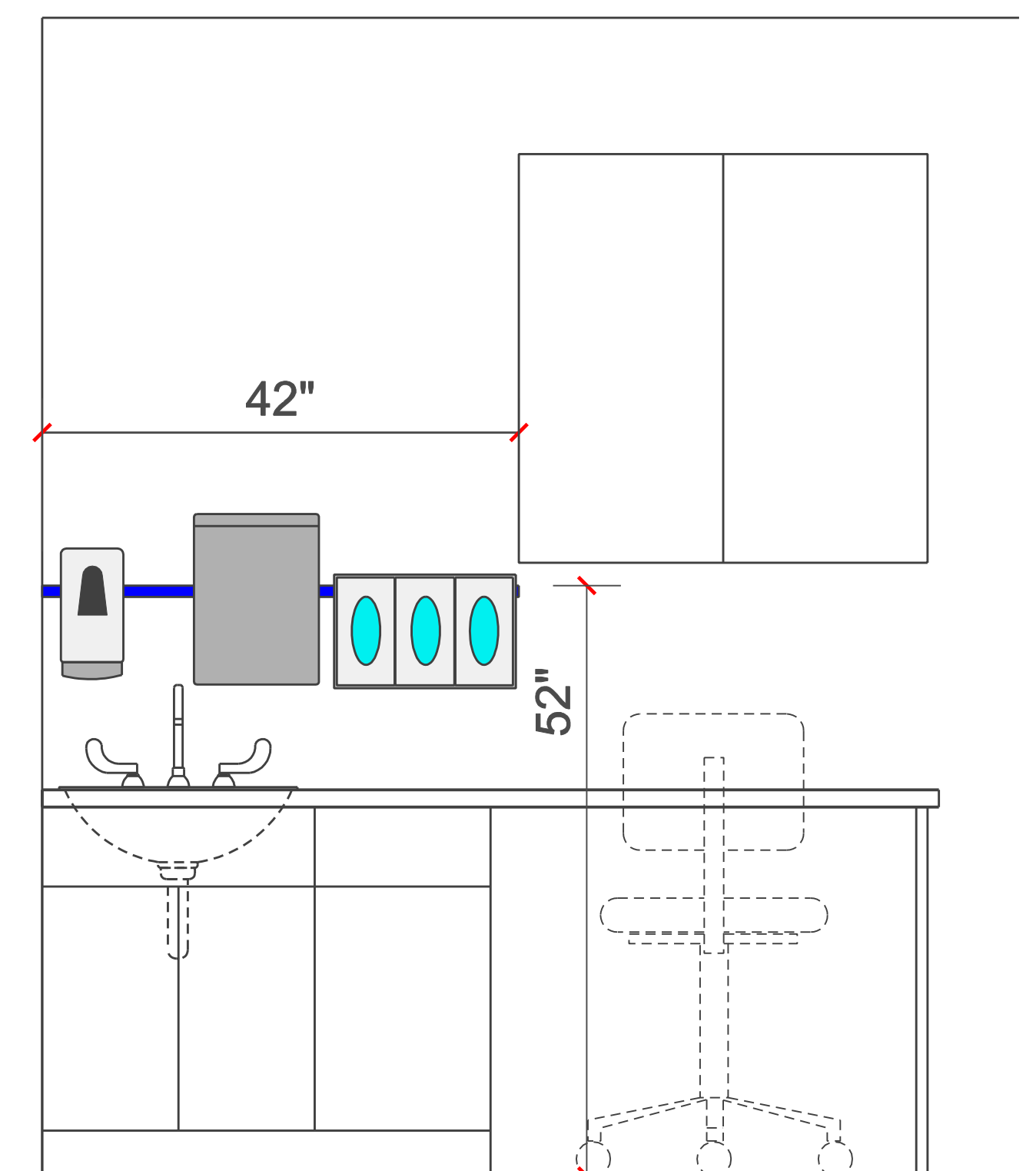
IP.1: PLAN VIEW



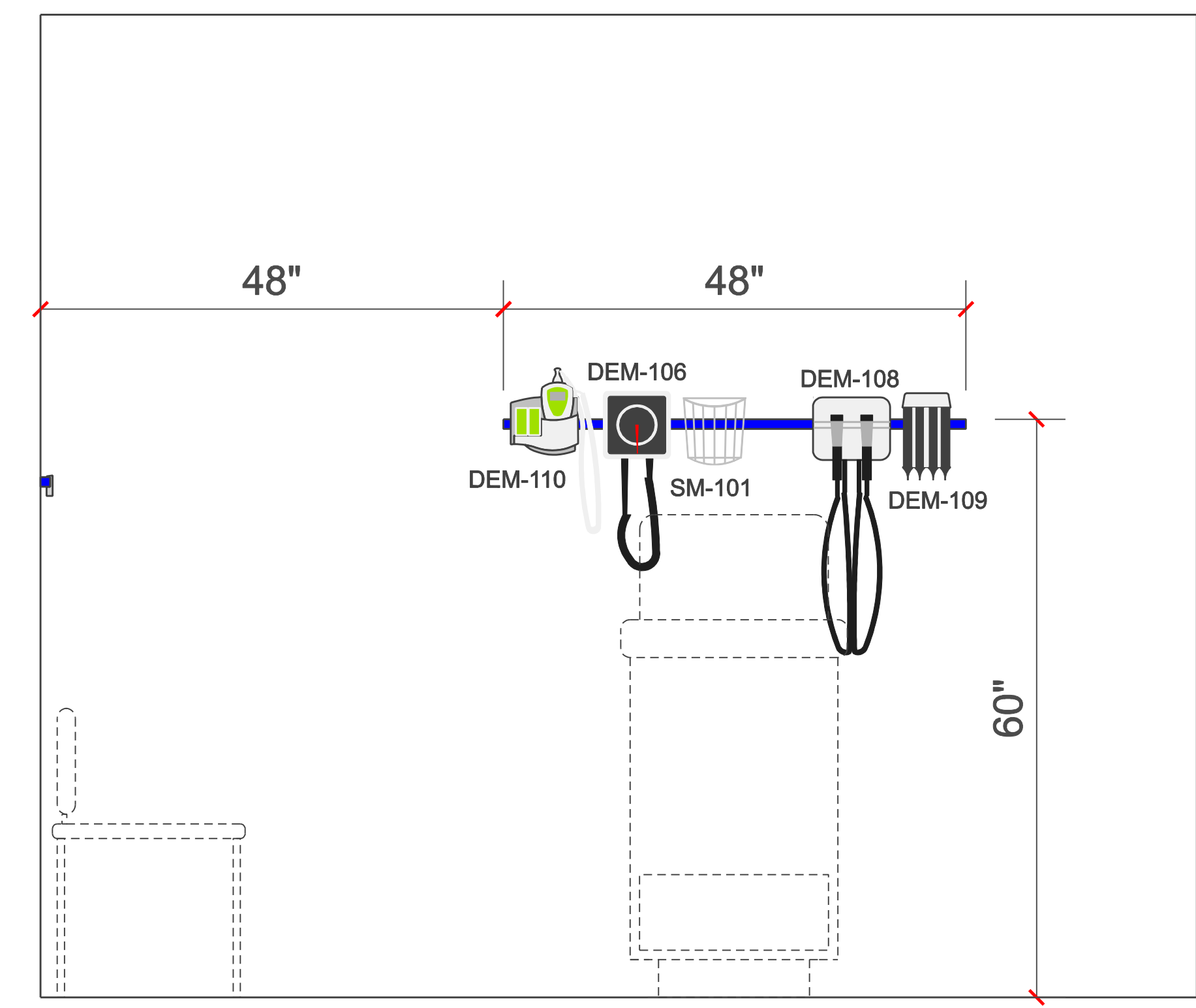
IE.1: PARTIAL ELEVATION



IE.2: PARTIAL ELEVATION



IE.3: ELEVATION



940 W. Oakland Avenue, A1
Oakland, FL 34787
(407) 614-8781 Office
gschindele@paladinmp.com

PACKAGE:
**NOT FOR
CONSTRUCTION**

APPROVAL DATE:

TYPICAL EXAM ROOM
BASE CABINET AND
OVERHEAD CASEWORK
WITH SINK

SCALE: N.T.S.

DATE: 06-18-15

REV 1:

REV 2:

REV 3:

REV 4:

EX.3

SHEET NO.

COPYRIGHT © 2013 BY PALADIN MEDICAL PRODUCTS. ALL RIGHTS RESERVED. THIS DOCUMENT IS THE PROPERTY OF PALADIN MEDICAL PRODUCTS. IT IS TO BE USED ONLY FOR THE SPECIFIC PROJECT IDENTIFIED OR REFERRED TO HEREIN AND IS NOT TO BE USED ON OTHER PROJECTS OR EXTENSIONS TO THIS PROJECT, IN WHOLE OR PART, EXCEPT BY EXPRESS WRITTEN AGREEMENT WITH AND COMPENSATION TO PALADIN MEDICAL PRODUCTS.