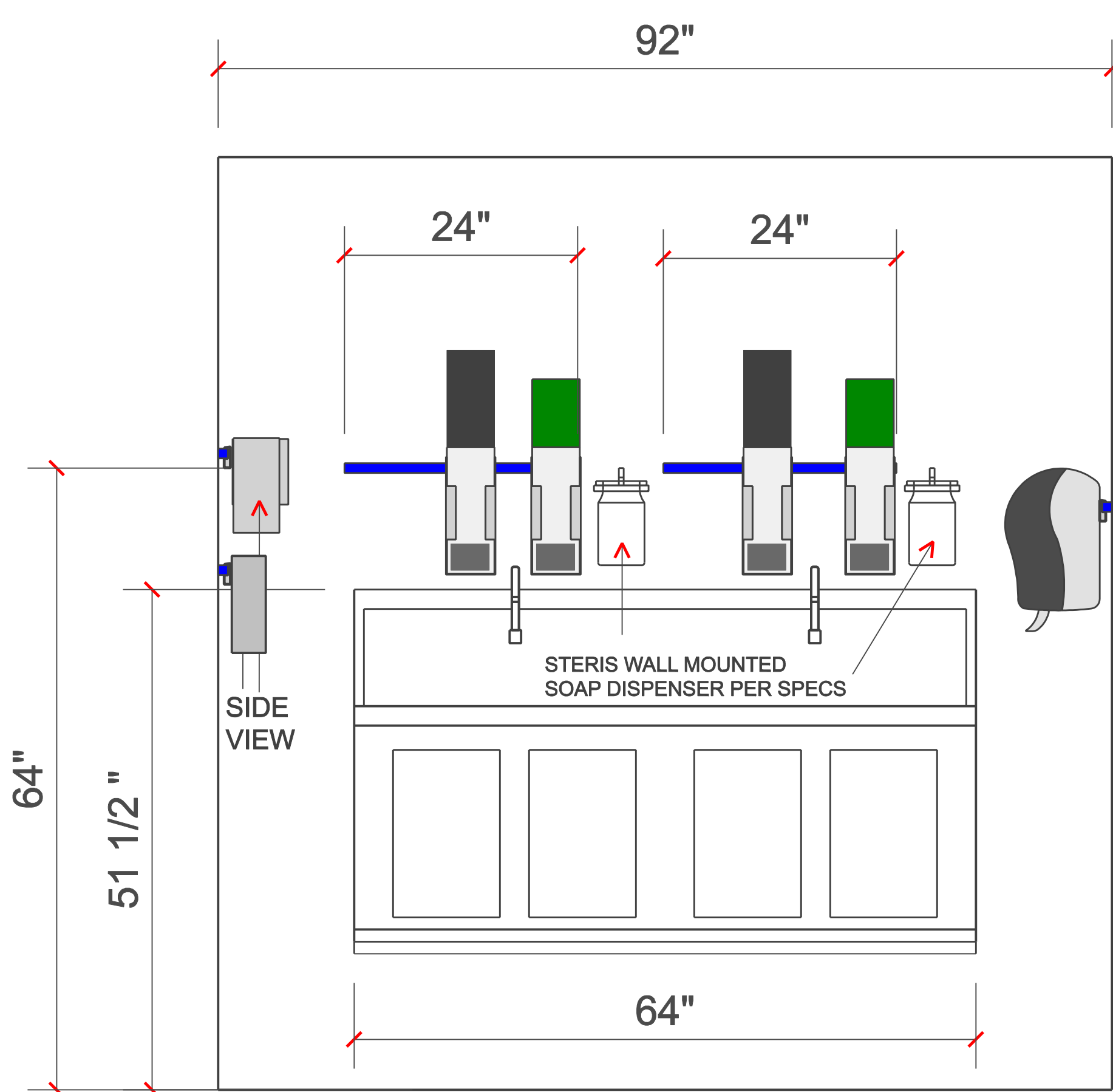
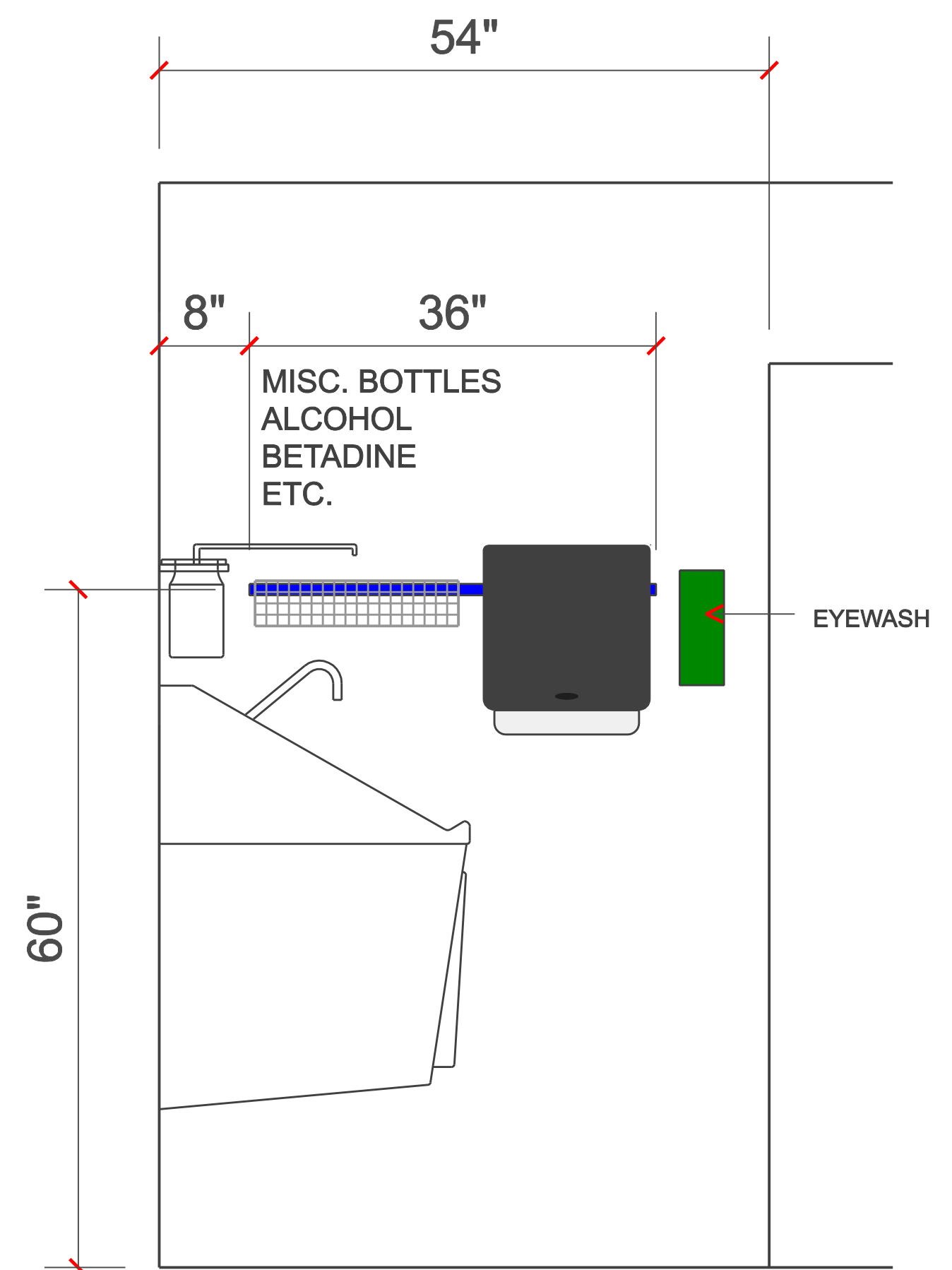


ELEVATION A: LEFT SIDE



ELEVATION B: FORWARD VIEW ALCOVE SCRUB SINK



ELEVATION C: RIGHT SIDE



940 W. Oakland Avenue, A1
Oakland, FL 34787
(407) 614-8781 Office
gschindele@paladinhc.com

PACKAGE:
NOT FOR
CONSTRUCTION

APPROVAL DATE:

TYPICAL
SCRUB SINK

SCALE: 3/8"=1'-0"

DATE: 02-19-16

REV 1:

REV 2:

REV 3:

REV 4:

SS.1

SHEET NO.

COPYRIGHT © 2013 BY PALADIN HEALTHCARE LLC. ALL RIGHTS RESERVED. THIS DOCUMENT IS THE PROPERTY OF PALADIN HEALTHCARE LLC. IT IS TO BE USED ONLY FOR THE SPECIFIC PROJECT IDENTIFIED OR REFERRED TO HEREIN AND IS NOT TO BE USED ON OTHER PROJECTS OR EXTENSIONS TO THIS PROJECT, IN WHOLE OR PART, EXCEPT BY EXPRESS WRITTEN AGREEMENT WITH AND COMPENSATION TO PALADIN HEALTHCARE LLC.