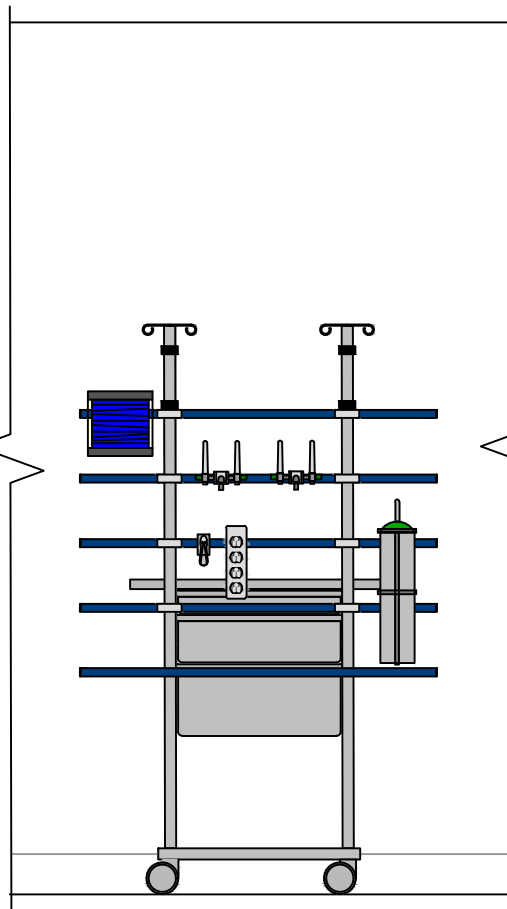
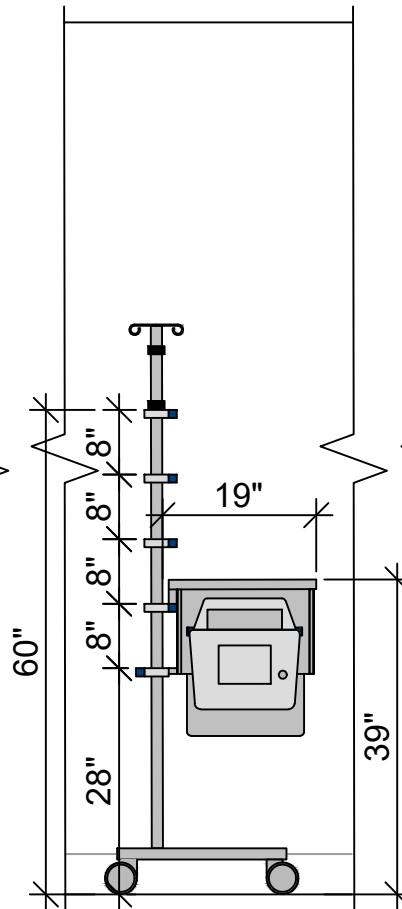


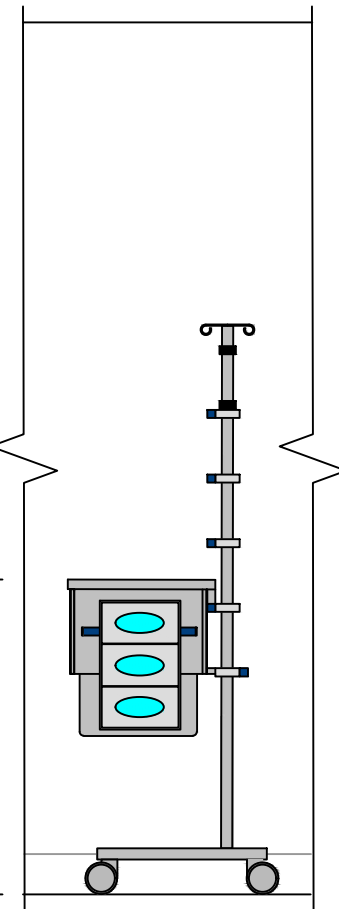
FRONT VIEW



BACK VIEW



LEFT VIEW



RIGHT VIEW

F.T.S. (FLEXIBLE TREATMENT STATION) CART



**PALADIN  
HEALTHCARE**

940 W. Oakland Avenue, A1  
Oakland, FL 34787  
(407) 614-8781 Office  
gschindele@paladinhc.com

PACKAGE:

APPROVAL DATE:

PALADIN HEALTHCARE  
F.T.S. CART  
TYPICAL SOLUTION

SCALE: N.T.S.

REV 2:

DATE: 11-22-19

REV 3:

REV 1: 12-2-19

REV 4:

**FTS1**

SHEET NO.

COPYRIGHT © 2013 BY PALADIN HEALTHCARE LLC. ALL RIGHTS RESERVED. THIS DOCUMENT IS THE PROPERTY OF PALADIN HEALTHCARE LLC. IT IS TO BE USED ONLY FOR THE SPECIFIC PROJECT IDENTIFIED OR REFERRED TO HEREIN AND IS NOT TO BE USED ON OTHER PROJECTS OR EXTENSIONS TO THIS PROJECT, IN WHOLE OR PART, EXCEPT BY EXPRESS WRITTEN AGREEMENT WITH AND COMPENSATION TO PALADIN HEALTHCARE LLC.