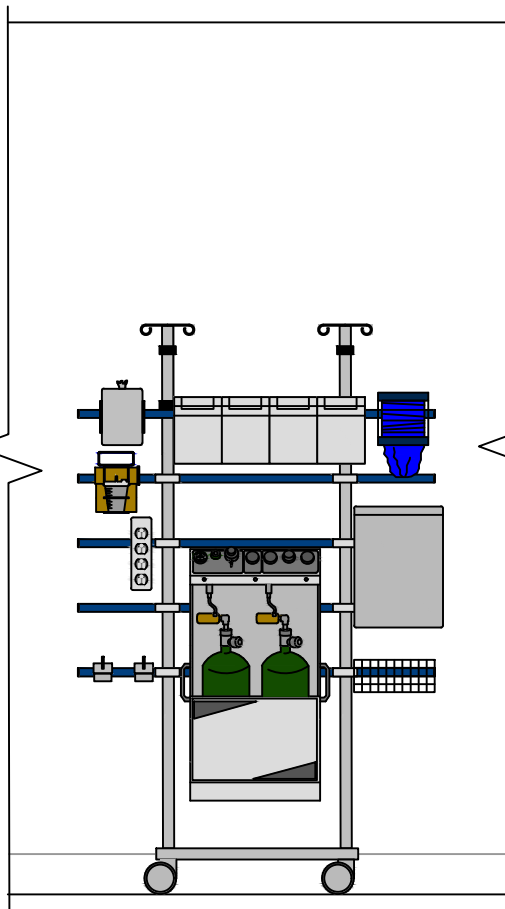
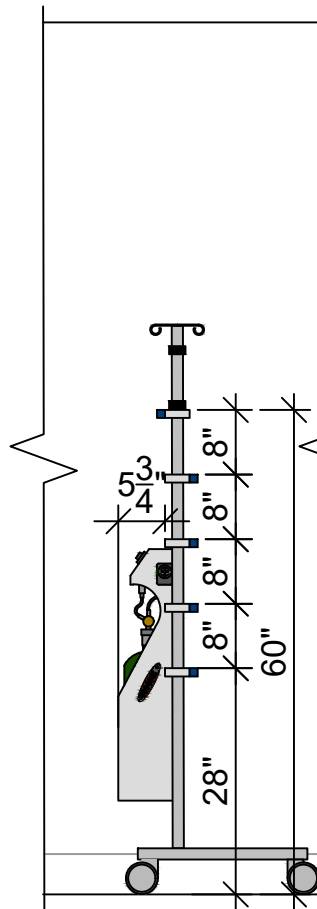


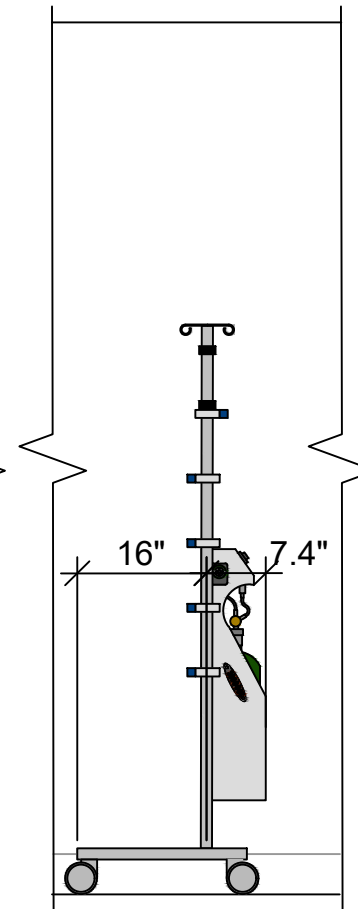
FRONT VIEW



BACK VIEW



LEFT VIEW



RIGHT VIEW

F.T.S. (FLEXIBLE TREATMENT STATION) CART



**PALADIN
HEALTHCARE**

940 W. Oakland Avenue, A1
Oakland, FL 34787
(407) 614-8781 Office
gschindele@paladinhc.com

PACKAGE:

APPROVAL DATE:

PALADIN HEALTHCARE
F.T.S. CART
TYPICAL SOLUTION

SCALE: N.T.S.

REV 2: 3-26-20

DATE: 11-22-19

REV 3: 4-14-20

REV 1: 12-2-19

REV 4:

FTS1

SHEET NO.

COPYRIGHT © 2013 BY PALADIN HEALTHCARE LLC. ALL RIGHTS RESERVED. THIS DOCUMENT IS THE PROPERTY OF PALADIN HEALTHCARE LLC. IT IS TO BE USED ONLY FOR THE SPECIFIC PROJECT IDENTIFIED OR REFERRED TO HEREIN AND IS NOT TO BE USED ON OTHER PROJECTS OR EXTENSIONS TO THIS PROJECT, IN WHOLE OR PART, EXCEPT BY EXPRESS WRITTEN AGREEMENT WITH AND COMPENSATION TO PALADIN HEALTHCARE LLC.

Item	Description	Qty
Cart-MC101-Base-5	"F.T.S." Forward Treatment Station Cart. Can carry all required equipment for patient care. Equipped with 5 Paladin equipment rails for flexible equipment management.	1
SM201-4-PM	4 Bin, Tilt out storage container, incl. rail mount kit	1
SM301-2.0	Single Hook, Assembly incl. Rail Mount Kit (2.0 inch hook)	2
IC319-P-Fair	Eme-Bag, Emesis Bag Dispenser Rail Mount Kit for Centurion Brand (ECO green or blue), Tiger Medical mod. EGT111, includes container shaped anti microbial agent Infused ABS plastic shim and Equipment Rail Adapter for solid fit and extended dispenser life.	1
S201-PM	Shelf, Flat (10"x8"), including Adapter for Rail Mount	1
IC531-PM	Dispenser for : Fog Free Procedure Mask , Halyard box # 00146, 48237, 47500, Precept FluidGard 160 Shield procedure mask, # 15310, KC Fluidshield Fog Free Procedure Mask, KC # 48247 & KC # 28804 Acrylic , inside dim. 9"t x 7-5/8"w x 4.5"d i.d. , Rail Mount Kit incl. Dispenser	1
SM102-PM-Fair	Fixed Basket, incl. rail mount kit, 4.25"Hx10"Wx7"D, max. load capacity 5 pounds, for Fairfield Adapter	1
IC287-3-V-PM-Fair	Triple Glove Box Dispenser, Acrylic, Heavy Duty, Clear, incl. Rail Mount Kit. Horizontal or Vertical mounting position. Default Vertical Mounting Position. Side Loading.	1
FN508-PM	Ferno Oxygen System (#T70710-N) including 2 Carbonfiber Oxygen tanks, including Rail Mount Kit and Wall Standoff	1
AC163-PM	Rail Mount Kit for LCSU 4 Laerdal Suction Pump	1
GHO201-3-0	Oxygen Hose, 3 ft Length, DISS Female Hand Nut x DISS Female Hand Nut	1
IC110-P-Fair	Universal Soap and Foam Dispenser Rail Mount Kit , for Owner Provided Soap and Foam Dispenser, For wide body dispensers. Due to more than 50 mounting holes this mounting plate fits over 30 different Soap/ foam dispensers of various manufacturers and two different rail mounting height options for sink applications	1
IC317-P	Rail Mount Kit, for Stericycle Sharps Container Cabinets 2 and 5 gallon locking and Solutions Inc. 2 gal. and 3gal. locking Sharps Container with wall standoff. Mounting plates are height adjustable within 5".	1
IC112-PM	Universal Wipes holder, Rail Mount, with redesigned ' L' bracket for improved dispenser support	1
DEM109-P-Fair	Rail Mount Kit only, for Owner Provided Speculum Container for Ophthalmoscope. Anti-Microbial Finish with Anti-Microbial Adapter.	1
DEM170-P	Rail Mount Kit for Owner Provided wall mount for Welch Allyn Thermometer Thermoscan Pro 6000	1
SM104-PM	Deep Basket, Medium, Sliding, 16w x 9h x15 d, HD, max. load capacity 15 pound, with Stand-Offs	1
S242	Heavy duty flip shelf. White, Scratch resistant food grade HDPE (high density poly ethylene). Indented spill lip, Up to 100 lbs load capacity. Dim 15"w x 10"d	1
IC416-P	Universal Rail Mount Kit Only, for certain owner provided trifold paper towel dispensers, sharps containers, wire wall brackets etc... Kit includes rail mount kit with multiple tapped mounting holes for field adjustments and wall stand-off. Dispenser sample or model number required to check mounting solution.	1
SMS02-PM	Rail Mount Kit including Ferno Pouch Holder and Ferno Small Pouch	1
DEM130-PM-15 Rail	4 Outlet Power strip with Rail Mount Kit, Trapp with 15ft cord.	1
GB0101	Gas Block, Oxygen, Double, (2) 1/8" NPT front outlet	1

F.T.S. (FLEXIBLE TREATMENT STATION) CART



**PALADIN
HEALTHCARE**

940 W. Oakland Avenue, A1
Oakland, FL 34787
(407) 614-8781 Office
gschindele@paladinhc.com

PACKAGE:

APPROVAL DATE:

**PALADIN HEALTHCARE
F.T.S. CART
TYPICAL SOLUTION**

SCALE: N.T.S.

REV 2: 3-26-20

DATE: 11-22-19

REV 3: 4-14-20

REV 1: 12-2-19

REV 4:

FTS2

SHEET NO.

COPYRIGHT © 2013 BY PALADIN HEALTHCARE LLC. ALL RIGHTS RESERVED. THIS DOCUMENT IS THE PROPERTY OF PALADIN HEALTHCARE LLC. IT IS TO BE USED ONLY FOR THE SPECIFIC PROJECT IDENTIFIED OR REFERRED TO HEREIN AND IS NOT TO BE USED ON OTHER PROJECTS OR EXTENSIONS TO THIS PROJECT, IN WHOLE OR PART, EXCEPT BY EXPRESS WRITTEN AGREEMENT WITH AND COMPENSATION TO PALADIN HEALTHCARE LLC.



940 W Oakland Avenue, Suite A-1
 Oakland, FL 34787
 407.614.8781 Office / 407.614.8782 Fax

Description	Qty
"F.T.S." Forward Treatment Station Cart. Can carry all required equipment for patient care. Equipped with 5 Paladin equipment rails for flexible equipment management.	1
4 Bin, Tilt out storage container, incl. rail mount kit	1
Single Hook, Assembly incl. Rail Mount Kit (2.0 inch hook)	2
Eme-Bag, Emesis Bag Dispenser Rail Mount Kit for Centurion Brand (ECO green or blue), Tiger Medical mod. EGT111, includes container shaped anti microbial agent Infused ABS plastic shim and Equipment Rail Adapter for solid fit and extended dispenser life.	1
Shelf, Flat (10"x8"), Including Adapter for Rail Mount	1
Dispenser for : Fog Free Procedure Mask , Halyard box # 00146, 48237, 47500, Precept FluidGard 160 Shield procedure mask, # 15310, KC Fluidshield Fog Free Procedure Mask, KC # 48247 & KC # 28804 Acrylic , inside dim. 9"t x 7-5/8"w x 4.5"d i.d. , Rail Mount Kit incl. Dispenser	1
Fixed Basket, incl. rail mount kit, 4.25"Hx10"Wx7"D, max. load capacity 5 pounds, for Fairfield Adapter	1
Triple Glove Box Dispenser, Acrylic, Heavy Duty, Clear, incl. Rail Mount Kit. Horizontal or Vertical mounting position. Default Vertical Mounting Position. Side Loading.	1
Ferno Oxygen System (#T70710-N) including 2 Carbonfiber Oxygen tanks, including Rail Mount Kit and Wall Standoff	1
Rail Mount Kit for LCSU 4 Laerdal Suction Pump	1
Oxygen Hose, 3 ft Length, DISS Female Hand Nut x DISS Female Hand Nut	1

Universal Soap and Foam Dispenser Rail Mount Kit , for Owner Provided Soap and Foam Dispenser, For wide body dispensers. Due to more than 50 mounting holes this mounting plate fits over 30 different Soap/ foam dispensers of various manufacturers and two different rail mounting height options for sink applications	1
Rail Mount Kit, for Stericycle Sharps Container Cabinets 2 and 5 gallon locking and Solutions Inc. 2 gal. and 3gal. locking Sharps Container with wall standoff. Mounting plates are height adjustable within 5".	1
Universal Wipes holder, Rail Mount, with redesigned ' L ' bracket for improved dispenser support	1
Rail Mount Kit only, for Owner Provided Speculum Container for Ophthalmoscope. Anti-Microbial Finish with Anti-Microbial Adapter.	1
Rail Mount Kit for Owner Provided wall mount for Welch Allyn Thermometer Thermoscan Pro 6000	1
Deep Basket, Medium, Sliding, 16w x 9h x15 d, HD, max. load capacity 15 pound, with Stand-Offs	1
Heavy duty flip shelf. White, Scratch resistant food grade HDPE (high density poly ethylene). Indented spill lip, Up to 100 lbs load capacity. Dim 15"w x 10"d	1
Universal Rail Mount Kit Only, for certain owner provided trifold paper towel dispensers, sharps containers, wire wall brackets etc... Kit includes rail mount kit with multiple tapped mounting holes for field adjustments and wall stand-off . Dispenser sample or model number required to check mounting solution.	1
Rail Mount Kit including Ferno Pouch Holder and Ferno Small Pouch	1
4 Outlet Power strip with Rail Mount Kit, Trapp with 15ft cord.	1
Gas Block, Oxygen, Double, (2) 1/8" NPT front outlet	1
For a formal quotation specific to your project, please contact us at: admin@paladinhc.com or 407.614.8781 Office or 407.614.8782 Fax	