

MASS CASUALTY RAPID DEPLOYMENT SYSTEM - FRONT ELEVATION



940 W. Oakland Avenue, A1
Oakland, FL 34787
(407) 614-8781 Office
gschindele@paladinhc.com

PACKAGE:

APPROVAL DATE:

PALADIN HEALTHCARE
RAIL SYSTEM
TYPICAL SOLUTION

SCALE: N.T.S.

REV 2:

DATE: 3-24-20

REV 3:

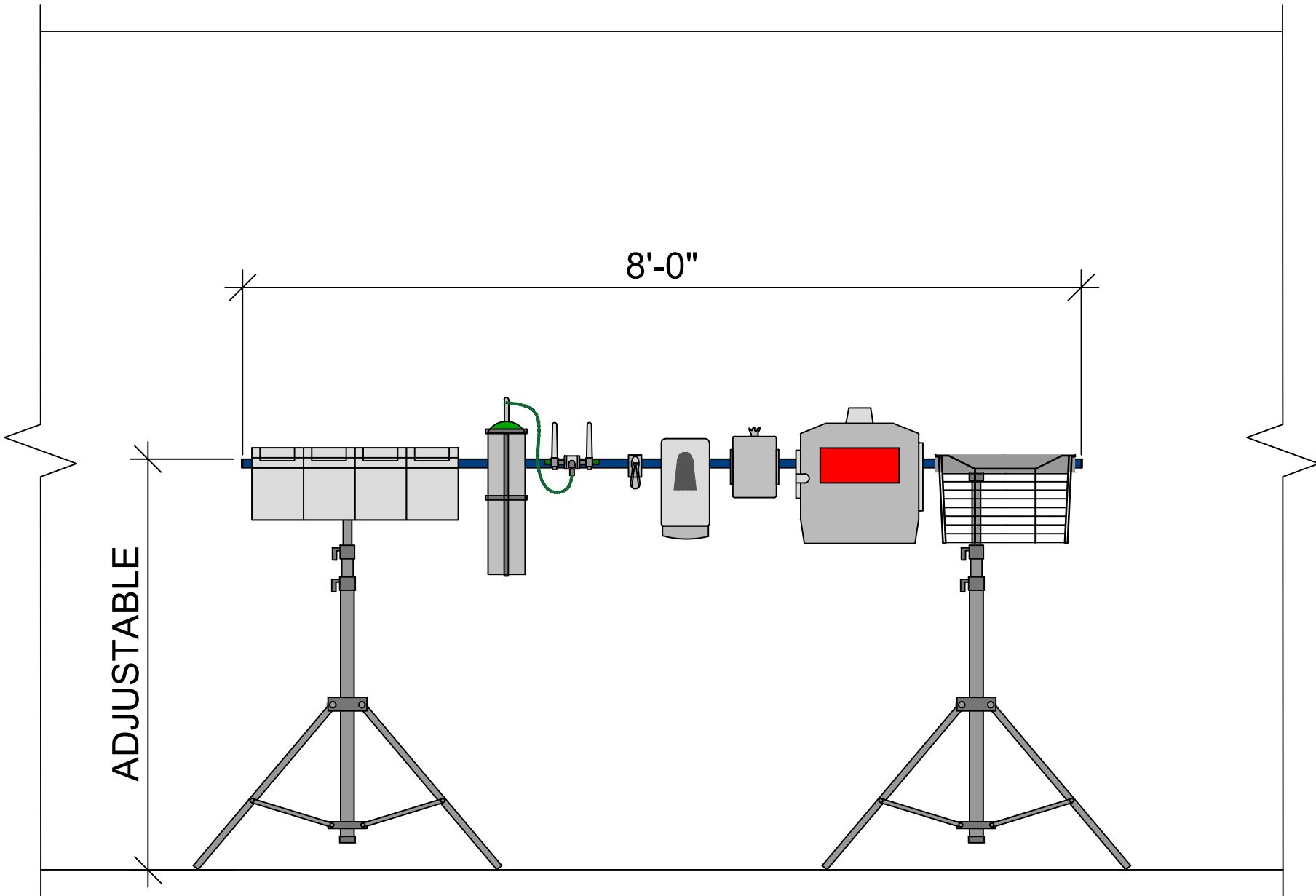
REV 1:

REV 4:

IE.1

SHEET NO.

COPYRIGHT © 2013 BY PALADIN HEALTHCARE LLC. ALL RIGHTS RESERVED. THIS DOCUMENT IS THE PROPERTY OF PALADIN HEALTHCARE LLC. IT IS TO BE USED ONLY FOR THE SPECIFIC PROJECT IDENTIFIED OR REFERRED TO HEREIN AND IS NOT TO BE USED ON OTHER PROJECTS OR EXTENSIONS TO THIS PROJECT, IN WHOLE OR PART, EXCEPT BY EXPRESS WRITTEN AGREEMENT WITH AND COMPENSATION TO PALADIN HEALTHCARE LLC.



MASS CASUALTY RAPID DEPLOYMENT SYSTEM - BACK ELEVATION



940 W. Oakland Avenue, A1
Oakland, FL 34787
(407) 614-8781 Office
gschindele@paladinhc.com

PACKAGE:

APPROVAL DATE:

**PALADIN HEALTHCARE
RAIL SYSTEM
TYPICAL SOLUTION**

SCALE: N.T.S.

REV 2:

DATE: 3-24-20

REV 3:

REV 1:

REV 4:


IE.2

SHEET NO.

COPYRIGHT © 2013 BY PALADIN HEALTHCARE LLC. ALL RIGHTS RESERVED. THIS DOCUMENT IS THE PROPERTY OF PALADIN HEALTHCARE LLC. IT IS TO BE USED ONLY FOR THE SPECIFIC PROJECT IDENTIFIED OR REFERRED TO HEREIN AND IS NOT TO BE USED ON OTHER PROJECTS OR EXTENSIONS TO THIS PROJECT, IN WHOLE OR PART, EXCEPT BY EXPRESS WRITTEN AGREEMENT WITH AND COMPENSATION TO PALADIN HEALTHCARE LLC.

Item	Description	Qty
MC201	Mass Casualty Rapid Deployment Equipment Management System. Consists of: 1x Carrying case 2x 4ft Rail with joiner in canvas pouch 2x Tripods with Rail connector.	1
IC287-3-H-PM-Fair	Triple Glove Box Dispenser, Acrylic, Heavy Duty, Clear, incl. Rail Mount Kit. Horizontal or Vertical mounting position. Default HORIZONTAL Mounting Position. Top loading.	1
GBO106	Oxygen Gas Block, (2) DISS (CV) front outlets, (1) 90 degree DISS (CV) center outlet.	2
GHO201-3-0	Oxygen Hose, 3 ft Length, DISS Female Hand Nut x DISS Female Hand Nut	2
SM304-Fair	Cord Bundler incl. rail mount kit with ABS antimicrobial plastic adapter	2
SM102-PM-Fair	Fixed Basket, incl. rail mount kit, 4.25"Hx10"Wx7"D, max. load capacity 5 pounds, for Fairfield Adapter	1
IC319-P-Fair	Eme-Bag, Emesis Bag Dispenser Rail Mount Kit for Centurion Brand (ECO green or blue), Tiger Medical mod. EGT111, includes container shaped anti microbial agent Infused ABS plastic shim and Equipment Rail Adapter for solid fit and extended dispenser life.	1
PR-LM-880051	LCSU-4 800 ml Complete Unit	1
AC163-PM	Rail mount kit for LCSU 4 Laerdal Suction Pump NON DISCOUNTABLE	1
SM401-3-PM	3 Clip Hanger with Stainless Steel Clips, incl. Rail Mount Kit	1
S201-PM	Shelf, Flat (10"x8"), Including Adapter for Rail Mount	1
SM104-PM	Deep Basket, Medium, Sliding, 16w x 9h x15 d, HD, max. load capacity 15 pound, with Stand-Offs	1
HTO101-PM	Oxygen Tank Holder Rail Mount kit. Fits D and E tank sizes	2
IC112-PM	Universal Wipes holder, Rail Mount, with redesigned ' L ' bracket for improved dispenser support	1
IC416-P	Universal Rail Mount Kit Only, for certain owner provided trifold paper towel dispensers, sharps containers, wire wall brackets etc... Kit includes rail mount kit with multiple tapped mounting holes for field adjustments and wall stand-off . Dispenser sample or model number required to check mounting solution.	1
SM201-4-PM	4 Bin, Tilt out storage container, incl. rail mount kit	1
IC110-P-Fair	Universal Soap and Foam Dispenser Rail Mount Kit , for Owner Provided Soap and Foam Dispenser, For wide body dispensers. Due to more than 50 mounting holes this mounting plate fits over 30 different Soap/ foam dispensers of various manufacturers and two different rail mounting height options for sink applications	2

MASS CASUALTY RAPID DEPLOYMENT SYSTEM - ACCESSORY TABLE

	940 W. Oakland Avenue, A1 Oakland, FL 34787 (407) 614-8781 Office gschindele@paladinhc.com	PACKAGE:	APPROVAL DATE:	PALADIN HEALTHCARE RAIL SYSTEM TYPICAL SOLUTION		SCALE: N.T.S.	REV 2:	<h1>IE.3</h1>
						DATE: 3-24-20	REV 3:	
						REV 1:	REV 4:	

COPYRIGHT © 2013 BY PALADIN HEALTHCARE LLC. ALL RIGHTS RESERVED. THIS DOCUMENT IS THE PROPERTY OF PALADIN HEALTHCARE LLC. IT IS TO BE USED ONLY FOR THE SPECIFIC PROJECT IDENTIFIED OR REFERRED TO HEREIN AND IS NOT TO BE USED ON OTHER PROJECTS OR EXTENSIONS TO THIS PROJECT, IN WHOLE OR PART, EXCEPT BY EXPRESS WRITTEN AGREEMENT WITH AND COMPENSATION TO PALADIN HEALTHCARE LLC.

C:\Users\Viraj\OneDrive\Dropbox\Paladin Healthcare\Projects 2020\COVID-19\Paladin Typical Solution\Tripod.dwg, 4/14/2020 10:39:28 AM, DWG To PDF.p3



940 W Oakland Avenue, Suite A-1
 Oakland, FL 34787
 407.614.8781 Office / 407.614.8782 Fax

ELEVATION: Mass Casualty Rapid Deployment System (Tripod)

REF Code: QB4523

Description	Qty
Mass Casualty Rapid Deployment Equipment Management System. Consists of: 1x Carrying case 2x 4ft Rail with joiner in canvas pouch 2x Tripods with Rail connector.	1
Triple Glove Box Dispenser, Acrylic, Heavy Duty, Clear, incl. Rail Mount Kit. Horizontal or Vertical mounting position. Default HORIZONTAL Mounting Position. Top loading.	1
Oxygen Gas Block, (2) DISS (CV) front outlets, (1) 90 degree DISS (CV) center outlet.	2
Oxygen Hose, 3 ft Length, DISS Female Hand Nut x DISS Female Hand Nut	2
Cord Bundler incl. rail mount kit with ABS antimicrobial plastic adapter	2
Fixed Basket, incl. rail mount kit, 4.25"Hx10"Wx7"D, max. load capacity 5 pounds, for Fairfield Adapter	1
Eme-Bag, Emesis Bag Dispenser Rail Mount Kit for Centurion Brand (ECO green or blue), Tiger Medical mod. EGT111, includes container shaped anti microbial agent Infused ABS plastic shim and Equipment Rail Adapter for solid fit and extended dispenser life.	1
LCSU-4 800 ml Complete Unit	1
Rail mount kit for LCSU 4 Laerdal Suction Pump NON DISCOUNTABLE	1
3 Clip Hanger with Stainless Steel Clips, incl. Rail Mount Kit	1
Shelf, Flat (10"x8"), Including Adapter for Rail Mount	1
Deep Basket, Medium, Sliding, 16w x 9h x15 d, HD, max. load capacity 15 pound, with Stand-Offs	1
Oxygen Tank Holder Rail Mount kit. Fits D and E tank sizes	2
Universal Wipes holder, Rail Mount, with redesigned ' L ' bracket for improved dispenser support	1

<p>Universal Rail Mount Kit Only, for certain owner provided trifold paper towel dispensers, sharps containers, wire wall brackets etc... Kit includes rail mount kit with multiple tapped mounting holes for field adjustments and wall stand-off . Dispenser sample or model number required to check mounting solution.</p>	<p>1</p>
<p>4 Bin, Tilt out storage container, incl. rail mount kit</p>	<p>1</p>
<p>Universal Soap and Foam Dispenser Rail Mount Kit , for Owner Provided Soap and Foam Dispenser, For wide body dispensers. Due to more than 50 mounting holes this mounting plate fits over 30 different Soap/ foam dispensers of various manufacturers and two different rail mounting height options for sink applications</p>	<p>2</p>
<p>For a formal quotation specific to your project, please contact us at: admin@paladinhc.com or 407.614.8781 Office or 407.614.8782 Fax</p>	