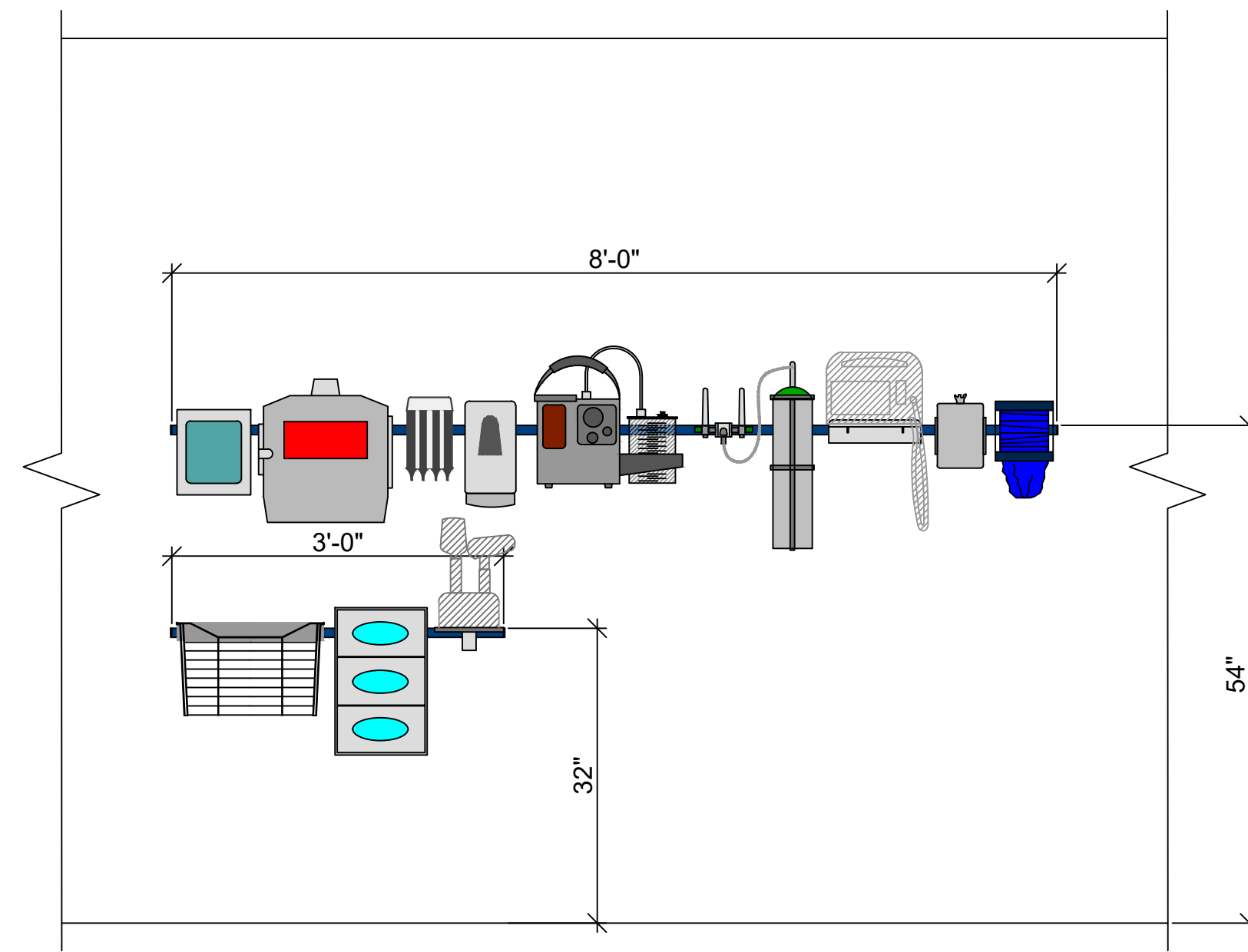
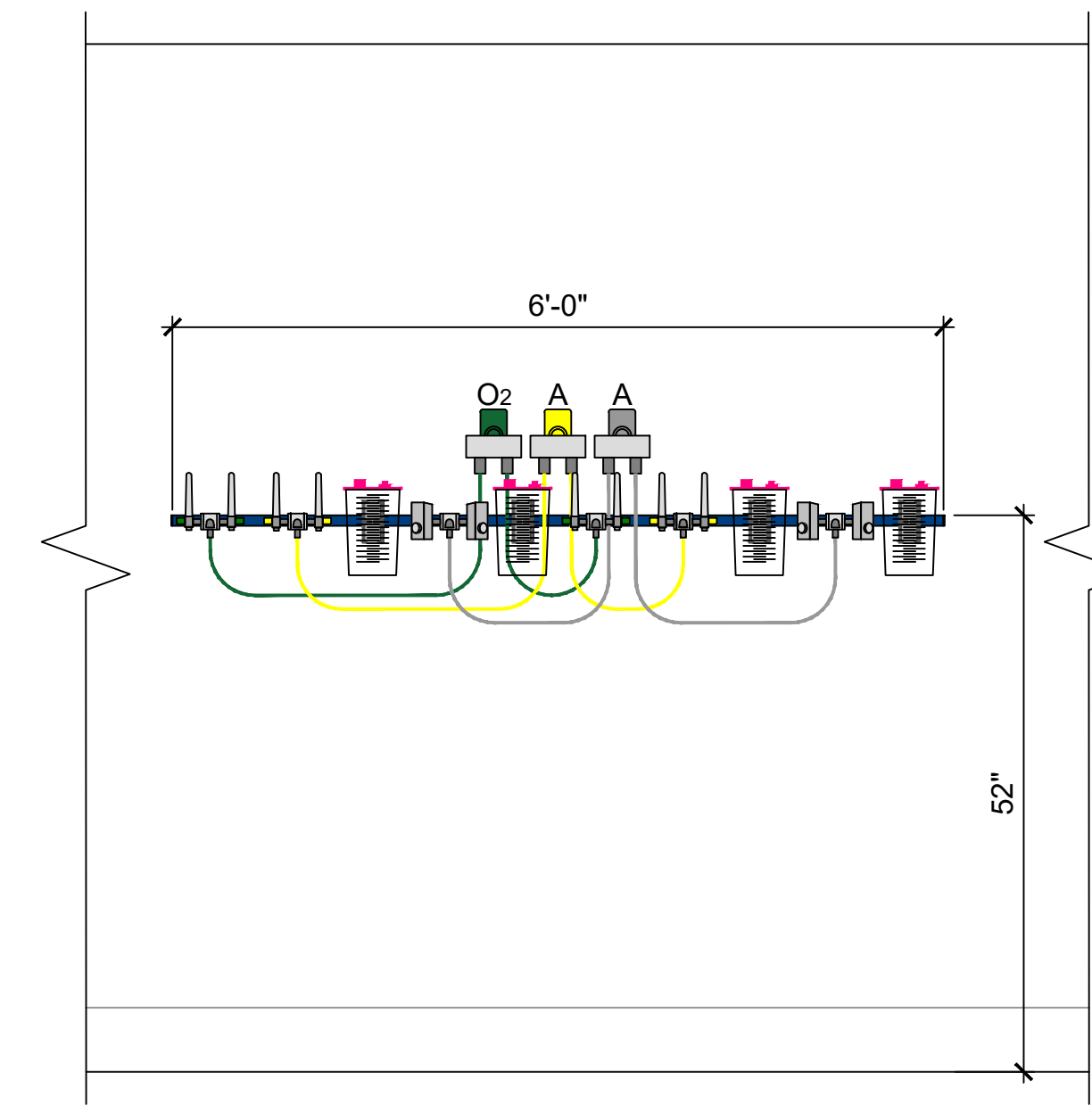


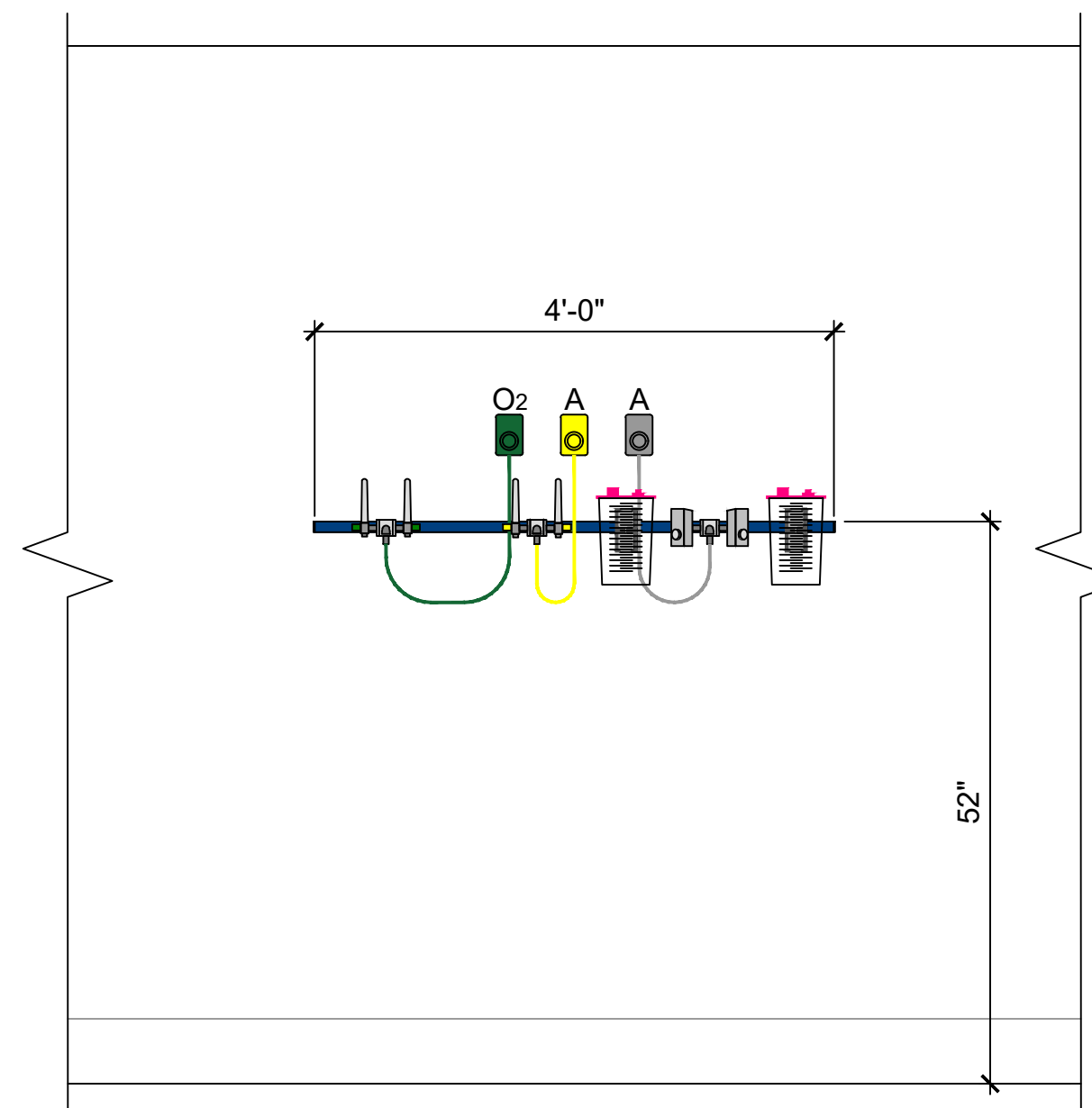
CRITICAL CARE ROOM TYPICAL ELEVATION



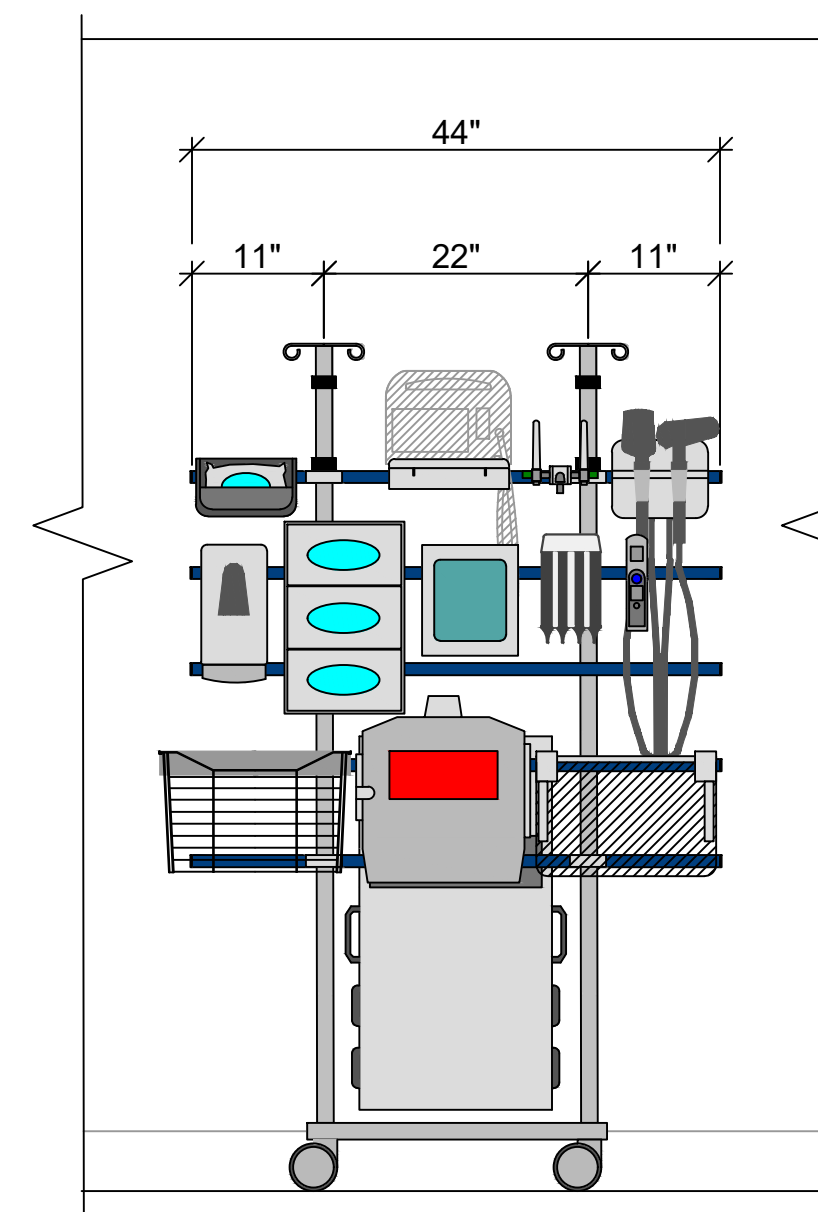
GENERAL PATIENT ROOM TYPICAL ELEVATION



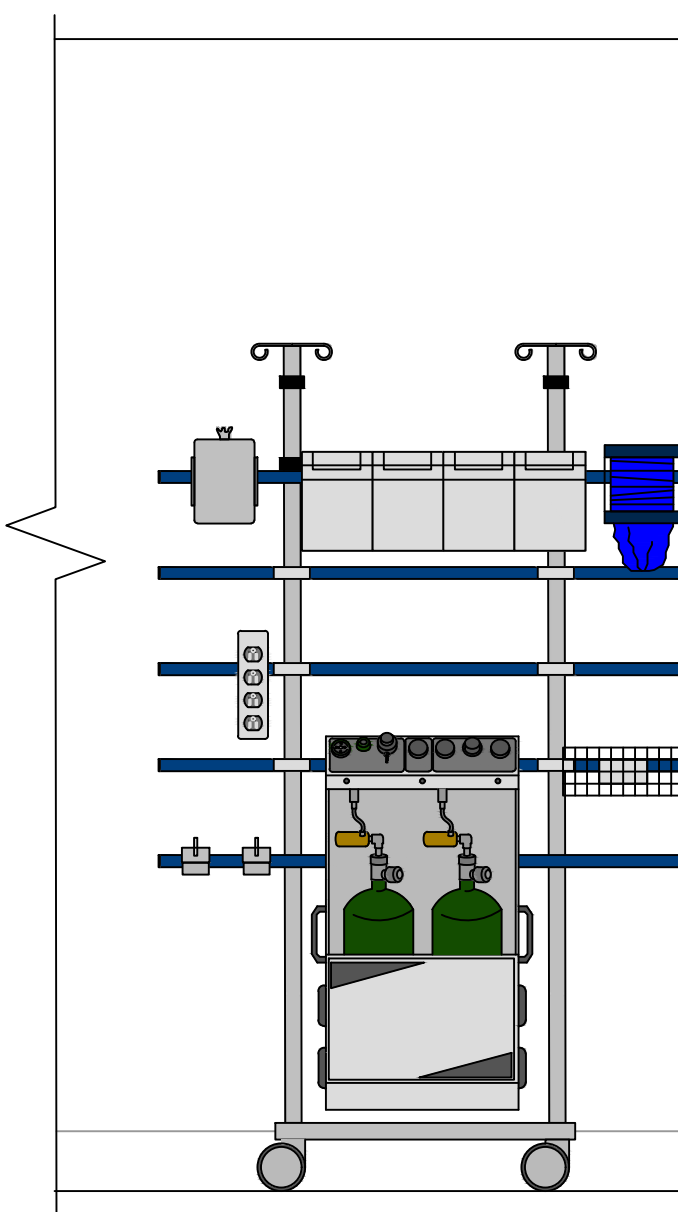
VACUUM AND MEDICAL GAS SOLUTION



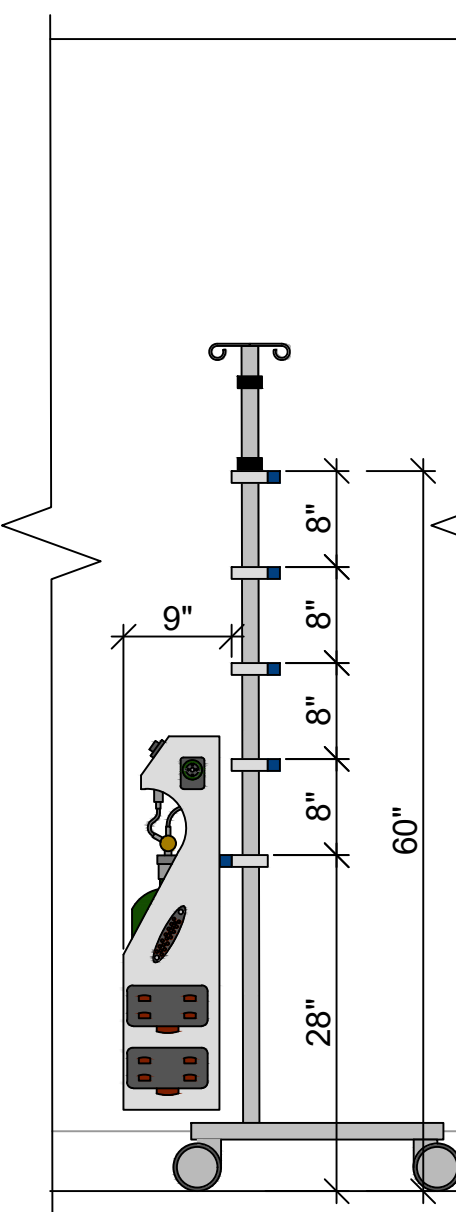
VACUUM AND MEDICAL GAS SOLUTION



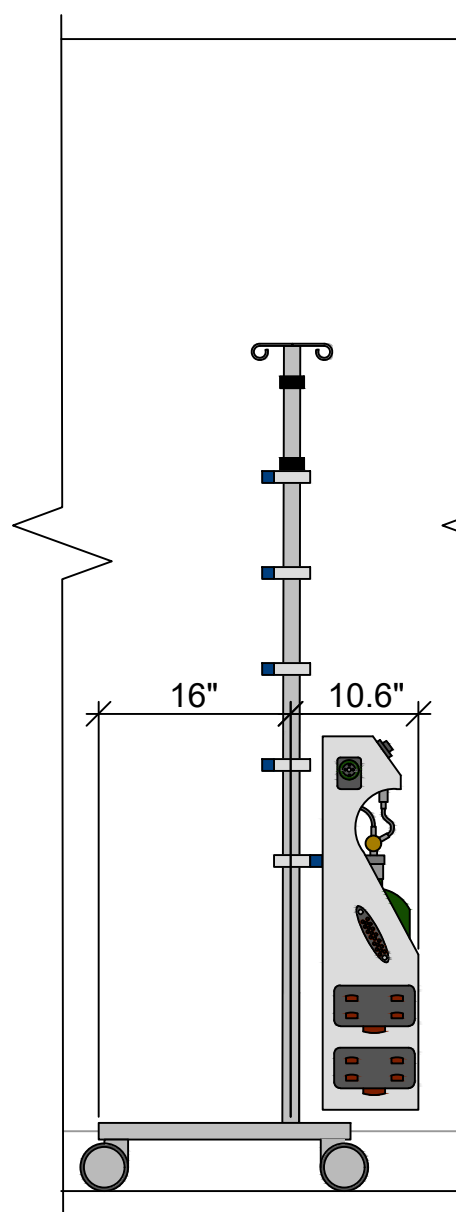
FRONT VIEW



BACK VIEW

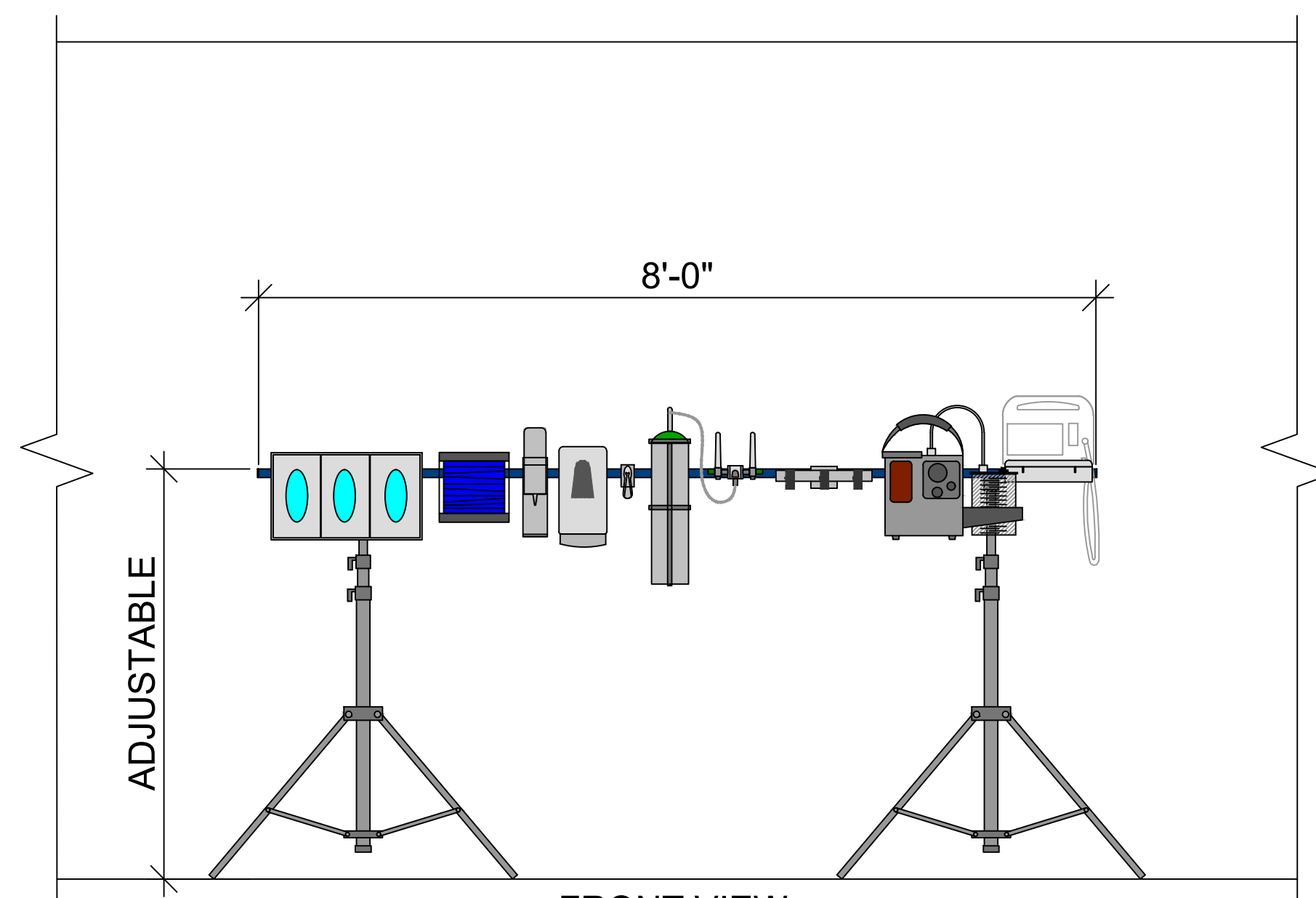


LEFT VIEW



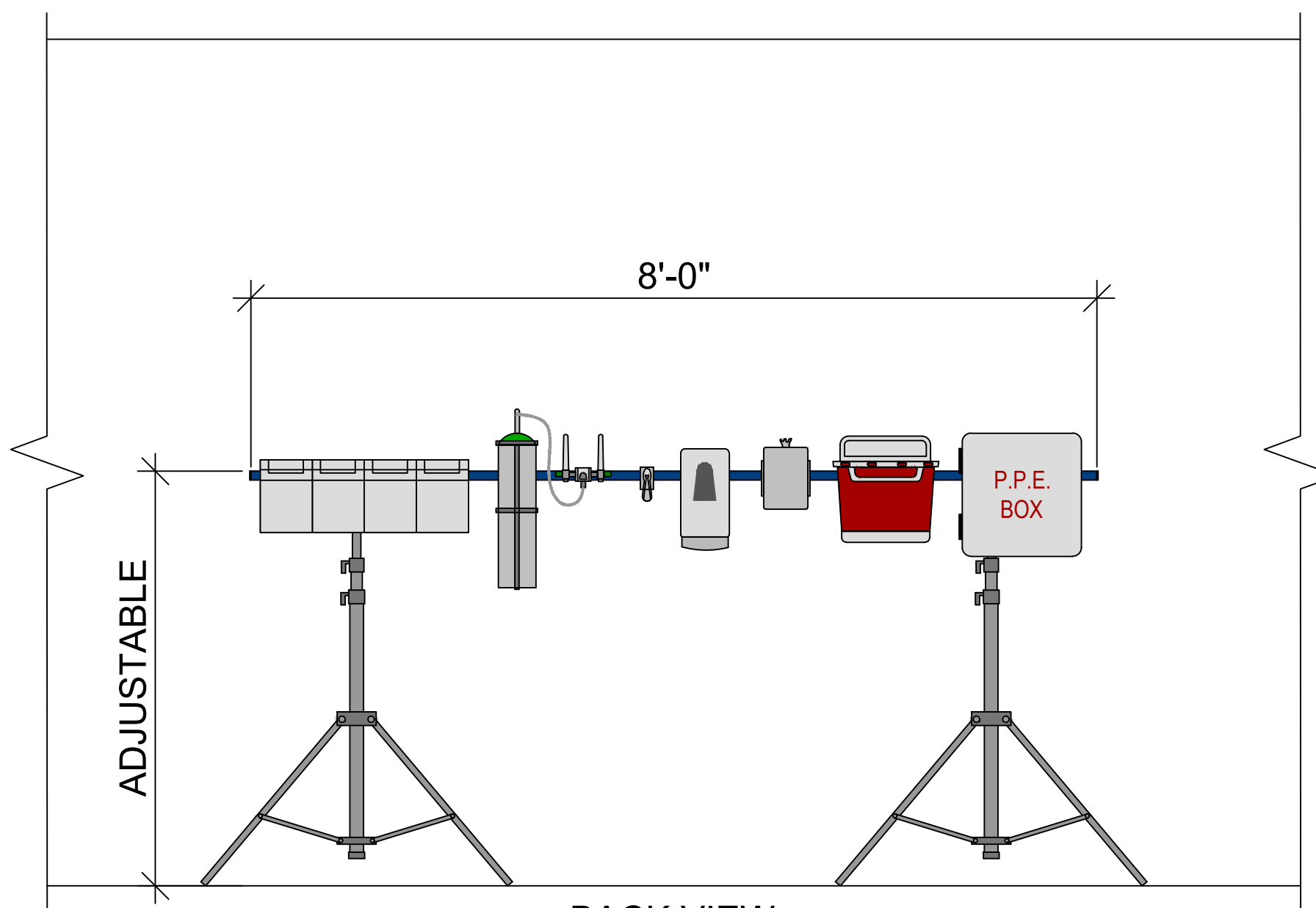
RIGHT VIEW

F.T.S. CART

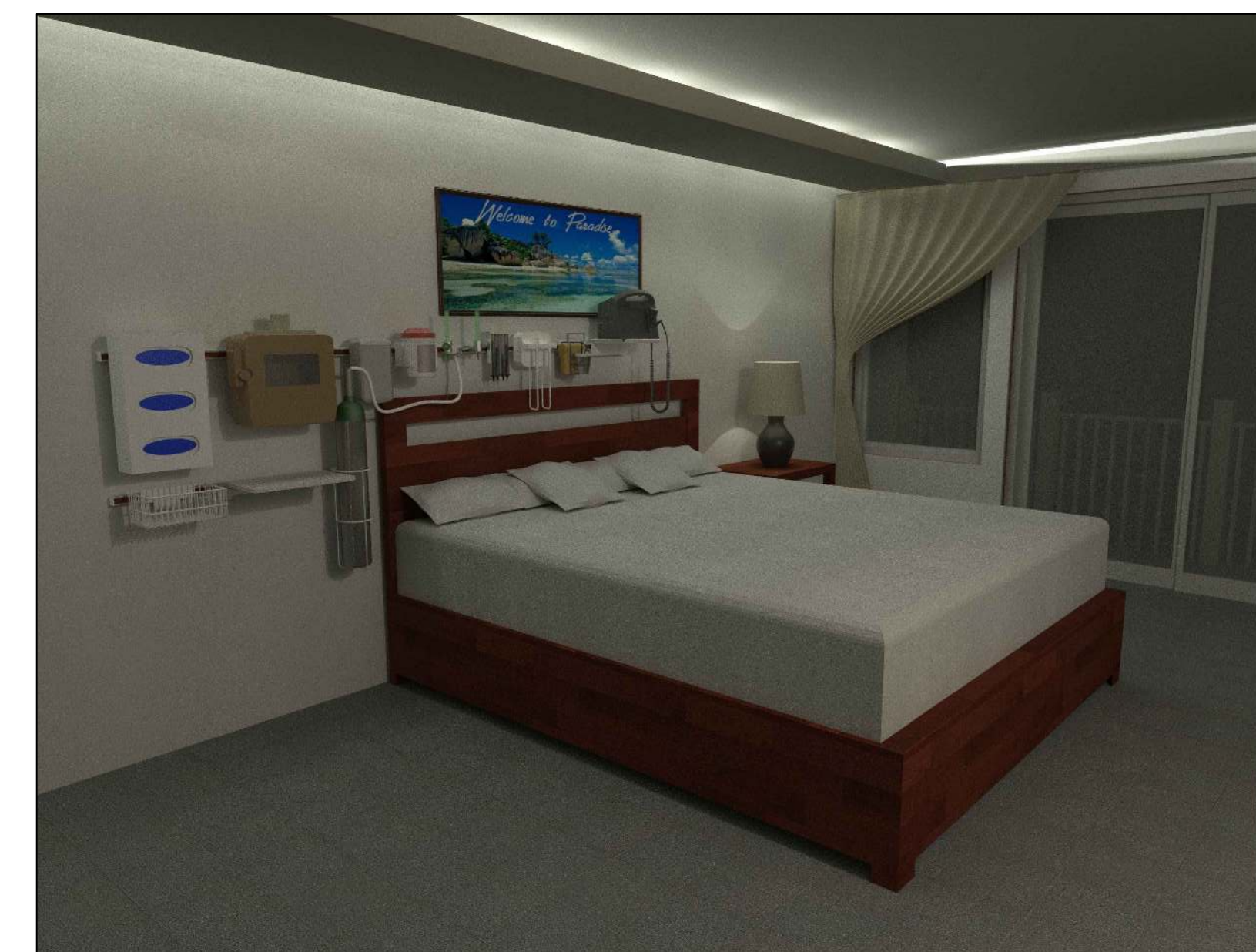


FRONT VIEW

MASS CASUALTY RAPID DEPLOYMENT SYSTEM (TRIPOD)



BACK VIEW



HOTEL ROOM