

PALADIN HEALTHCARE

REVOLUTION HEADWALL



REVOLUTION HEADWALL 8'-0"



**PALADIN
HEALTHCARE**

940 W. Oakland Avenue, A1
Oakland, FL 34787
(407) 614-8781 Office
gschindele@paladinhc.com

PACKAGE:

APPROVAL DATE:

DRAWN BY:
U. VELAZQUEZ

PALADIN HEALTHCARE
REVOLUTION HEADWALL
TYPICAL SOLUTION

SCALE: N.T.S.

REV 2:

DATE: 7-29-20

REV 3:

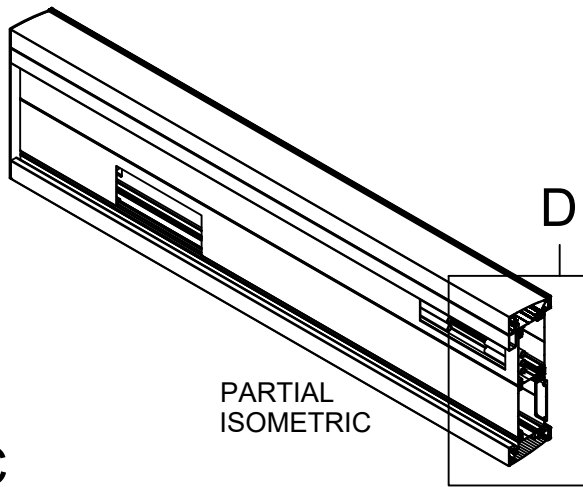
REV 1:

REV 4:

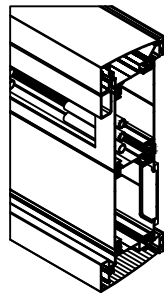
TI.1

SHEET NO.

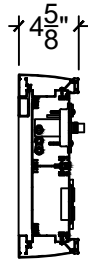
COPYRIGHT © 2013 BY PALADIN HEALTHCARE LLC. ALL RIGHTS RESERVED. THIS DOCUMENT IS THE PROPERTY OF PALADIN HEALTHCARE LLC. IT IS TO BE USED ONLY FOR THE SPECIFIC PROJECT IDENTIFIED OR REFERRED TO HEREIN AND IS NOT TO BE USED ON OTHER PROJECTS OR EXTENSIONS TO THIS PROJECT, IN WHOLE OR PART, EXCEPT BY EXPRESS WRITTEN AGREEMENT WITH AND COMPENSATION TO PALADIN HEALTHCARE LLC.



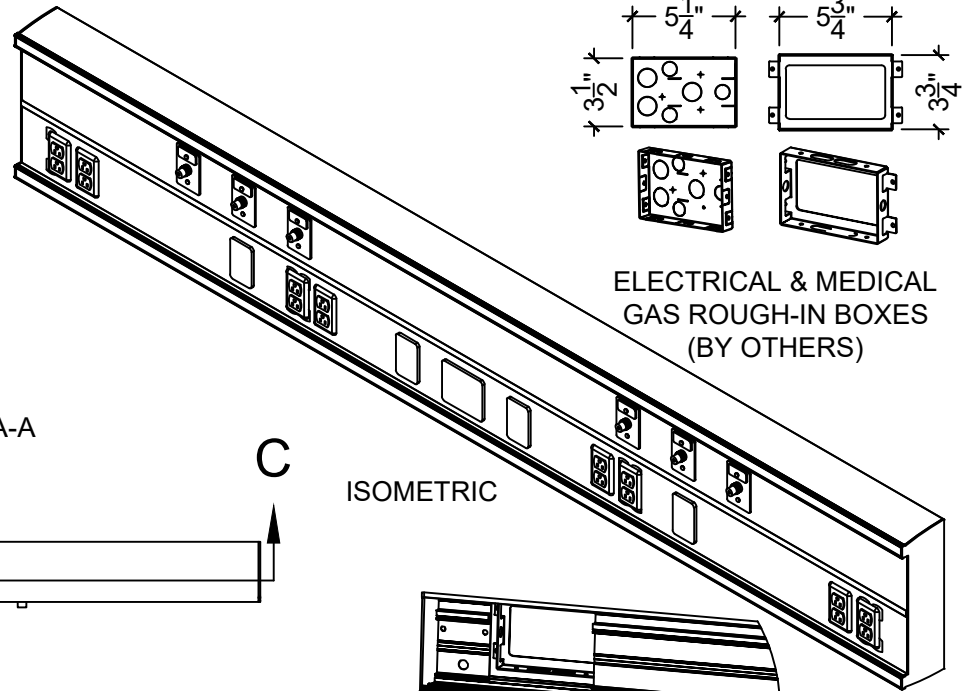
PARTIAL ISOMETRIC



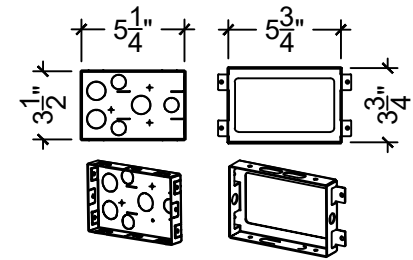
DETAIL D
SCALE 1-1/2" = 1'-0"



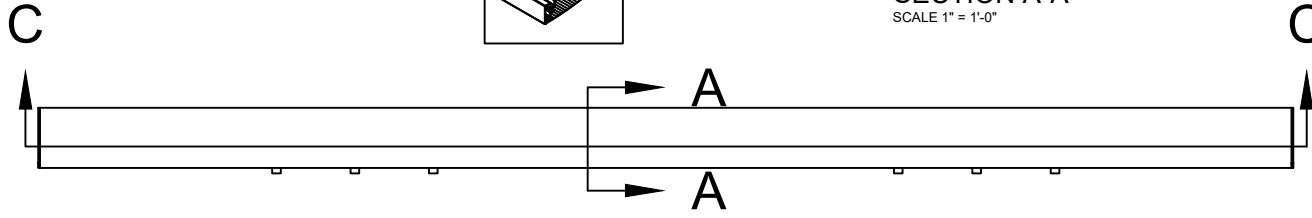
SECTION A-A
SCALE 1" = 1'-0"



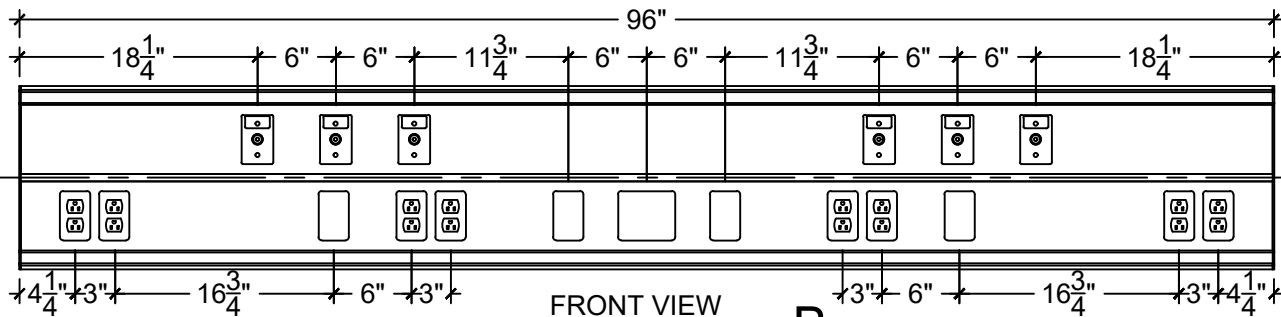
ISOMETRIC



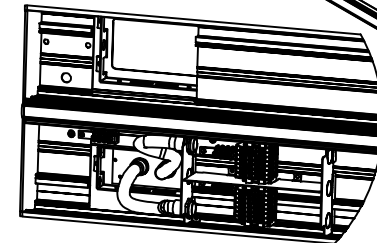
ELECTRICAL & MEDICAL
GAS ROUGH-IN BOXES
(BY OTHERS)



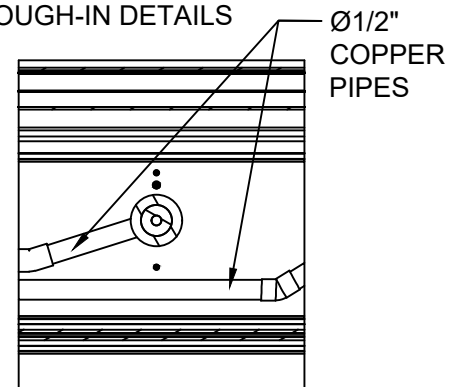
TOP VIEW
SCALE 1" = 1'-0"



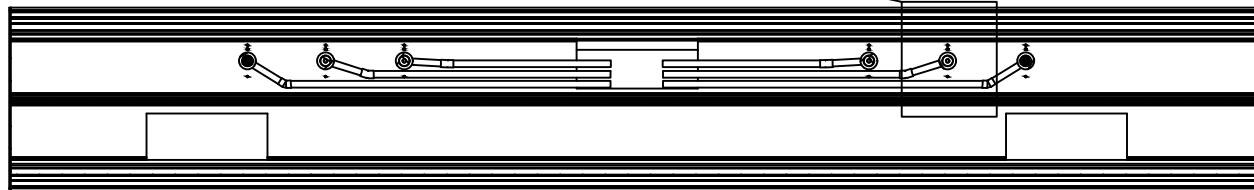
FRONT VIEW
SCALE 1" = 1'-0"



ELECTRICAL & MEDICAL
GAS ROUGH-IN DETAILS



DETAIL B
SCALE 3" = 1'-0"



SECTION C-C
SCALE 1" = 1'-0"

REVOLUTION HEADWALL 8'-0"



940 W. Oakland Avenue, A1
Oakland, FL 34787
(407) 614-8781 Office
gschindele@paladinhc.com

PACKAGE:

APPROVAL DATE:

DRAWN BY:
U. VELAZQUEZ

PALADIN HEALTHCARE
REVOLUTION HEADWALL
TYPICAL SOLUTION

SCALE: N.T.S.

REV 2:

DATE: 7-29-20

REV 3:

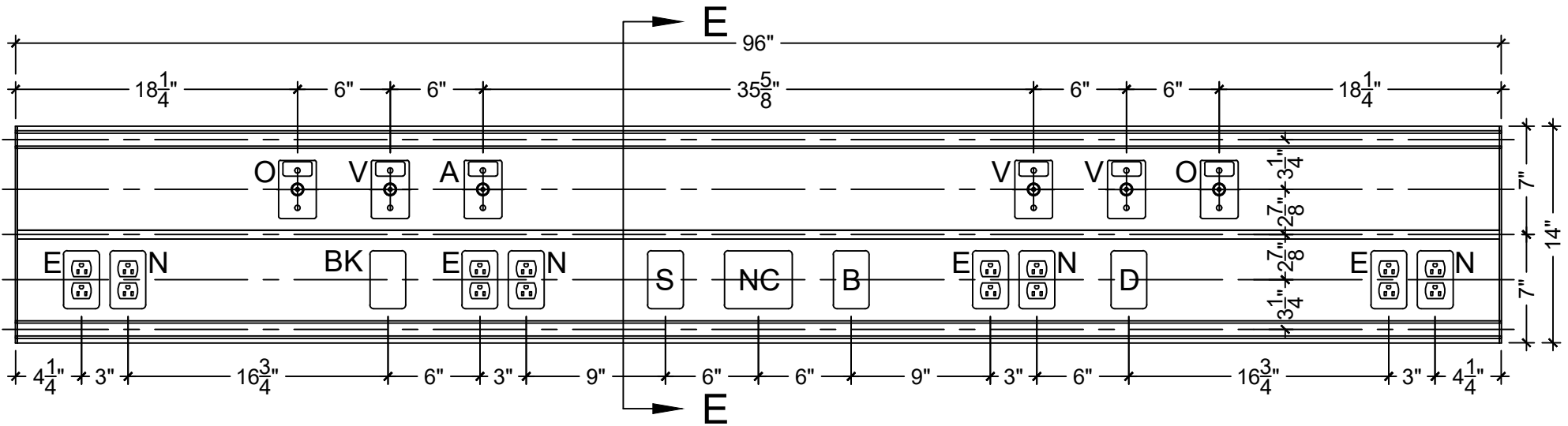
REV 1:

REV 4:

IE.1

SHEET NO.

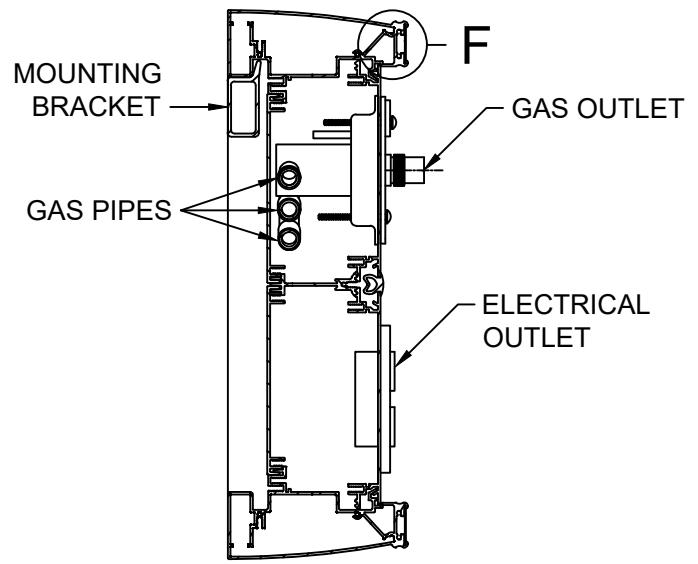
COPYRIGHT © 2013 BY PALADIN HEALTHCARE LLC. ALL RIGHTS RESERVED. THIS DOCUMENT IS THE PROPERTY OF PALADIN HEALTHCARE LLC. IT IS TO BE USED ONLY FOR THE SPECIFIC PROJECT IDENTIFIED OR REFERRED TO HEREIN AND IS NOT TO BE USED ON OTHER PROJECTS OR EXTENSIONS TO THIS PROJECT, IN WHOLE OR PART, EXCEPT BY EXPRESS WRITTEN AGREEMENT WITH AND COMPENSATION TO PALADIN HEALTHCARE LLC.



FRONT VIEW

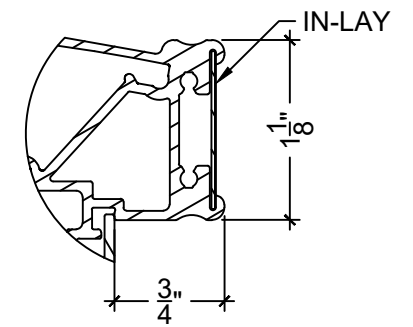
SCALE 1-1/2" = 1'-0"

| HEADWALL LEGEND | |
|-----------------|--------------------------|
| O | OXYGEN |
| V | VACUUM |
| A | AIR |
| NC | NURSE CALL |
| D | DATA / PHONE |
| E | EMERGENCY POWER (DUPLEX) |
| N | NORMAL POWER (DUPLEX) |
| S | LIGHT SWITCH |
| B | CODE BLUE |
| BK | BLANK |



SECTION E-E

SCALE 3" = 1'-0"



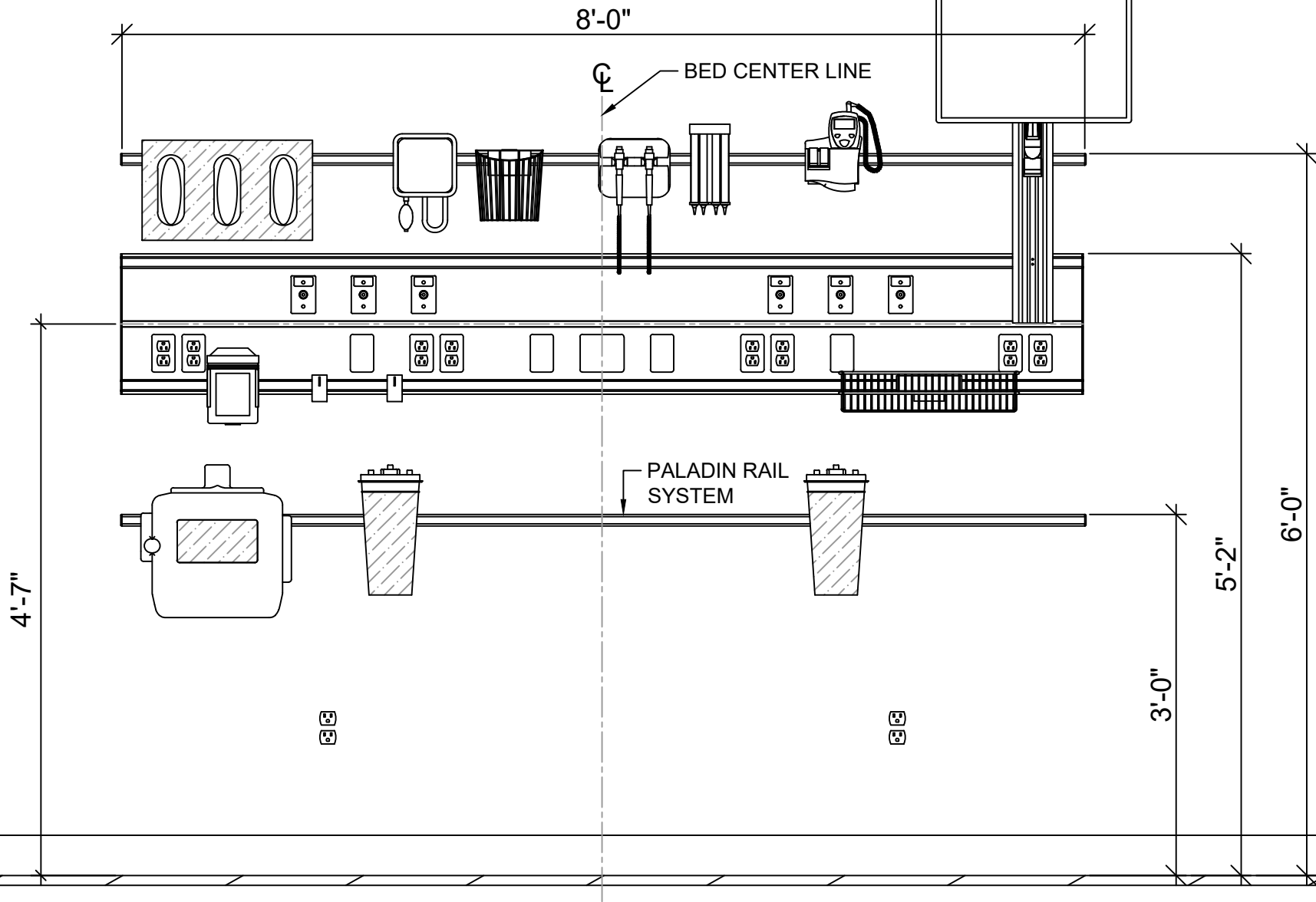
DETAIL F

SCALE 1'-0" = 1'-0"

REVOLUTION HEADWALL 8'-0"

| | | | | | | | |
|--|---|---------------------------|----------------|--|---------------|--------|--------------------------|
| | 940 W. Oakland Avenue, A1 Oakland, FL 34787 (407) 614-8781 Office gschindele@paladinhc.com | PACKAGE: | APPROVAL DATE: | PALADIN HEALTHCARE REVOLUTION HEADWALL TYPICAL SOLUTION | SCALE: N.T.S. | REV 2: | IE.2 SHEET NO. |
| | COPYRIGHT © 2013 BY PALADIN HEALTHCARE LLC. ALL RIGHTS RESERVED. THIS DOCUMENT IS THE PROPERTY OF PALADIN HEALTHCARE LLC. IT IS TO BE USED ONLY FOR THE SPECIFIC PROJECT IDENTIFIED OR REFERRED TO HEREIN AND IS NOT TO BE USED ON OTHER PROJECTS OR EXTENSIONS TO THIS PROJECT, IN WHOLE OR PART, EXCEPT BY EXPRESS WRITTEN AGREEMENT WITH AND COMPENSATION TO PALADIN HEALTHCARE LLC. | DRAWN BY: U. VELAZQUEZ | DATE: 7-29-20 | | REV 3: | REV 4: | |

C:\Users\Uirel\Velazquez\Dropbox\Paladin Healthcare\Paladin ED Solution\Revolution Headwall.dwg, 7/29/2020 10:03:01 AM, DWG To PDF.pc3



REVOLUTION HEADWALL 8'-0"



**PALADIN
HEALTHCARE**

940 W. Oakland Avenue, A1
Oakland, FL 34787
(407) 614-8781 Office
gschindele@paladinhc.com

PACKAGE:

APPROVAL DATE:

DRAWN BY:
U. VELAZQUEZ

PALADIN HEALTHCARE
REVOLUTION HEADWALL
TYPICAL SOLUTION

SCALE: N.T.S.

REV 2:

DATE: 7-29-20

REV 3:

REV 1:

REV 4:

IE.3

SHEET NO.

COPYRIGHT © 2013 BY PALADIN HEALTHCARE LLC. ALL RIGHTS RESERVED. THIS DOCUMENT IS THE PROPERTY OF PALADIN HEALTHCARE LLC. IT IS TO BE USED ONLY FOR THE SPECIFIC PROJECT IDENTIFIED OR REFERRED TO HEREIN AND IS NOT TO BE USED ON OTHER PROJECTS OR EXTENSIONS TO THIS PROJECT, IN WHOLE OR PART, EXCEPT BY EXPRESS WRITTEN AGREEMENT WITH AND COMPENSATION TO PALADIN HEALTHCARE LLC.

ACCESSORY TABLE

| COUNT | NAME |
|-------|---|
| 1 | PALADIN_CUFF BASKET_SM101-PM |
| 1 | PALADIN_GCX_25-2-HW |
| 1 | PALADIN_GLOVE BOX_IC287-3-H-PM |
| 2 | PALADIN_HOOK HANGER_SM301-2 |
| 1 | PALADIN_LARGE BASKET_SM103-PM |
| 1 | PALADIN_OPTHALMOSCOPE_DEM108-P |
| 2 | PALADIN_RAIL_R208 |
| 1 | PALADIN_REVOLUTION HEADWALL 8 |
| 1 | PALADIN_SHARPS_IC317-P |
| 1 | PALADIN_SPECULA_DEM109-P |
| 1 | PALADIN_TERMOMETER_DEM110-P |
| 2 | PALADIN_VACUUM BOTTLE SLIDE_AC101-ABS |
| 1 | PALADIN_WELCH ALLYN BLOOD PRESSURE_DEM106-P |
| 1 | PALADIN_WIPES_IC112-P |

REVOLUTION HEADWALL 8'-0"



**PALADIN
HEALTHCARE**

940 W. Oakland Avenue, A1
Oakland, FL 34787
(407) 614-8781 Office
gschindele@paladinhc.com

PACKAGE:

APPROVAL DATE:

DRAWN BY:
U. VELAZQUEZ

**PALADIN HEALTHCARE
REVOLUTION HEADWALL
TYPICAL SOLUTION**

SCALE: N.T.S.

REV 2:

DATE: 7-29-20

REV 3:

REV 1:

REV 4:

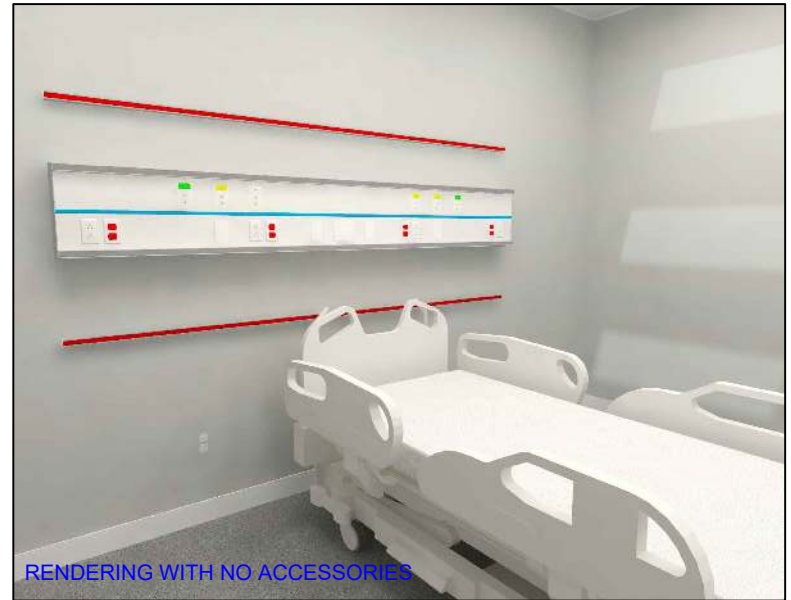
IE.4

SHEET NO.

COPYRIGHT © 2013 BY PALADIN HEALTHCARE LLC. ALL RIGHTS RESERVED. THIS DOCUMENT IS THE PROPERTY OF PALADIN HEALTHCARE LLC. IT IS TO BE USED ONLY FOR THE SPECIFIC PROJECT IDENTIFIED OR REFERRED TO HEREIN AND IS NOT TO BE USED ON OTHER PROJECTS OR EXTENSIONS TO THIS PROJECT, IN WHOLE OR PART, EXCEPT BY EXPRESS WRITTEN AGREEMENT WITH AND COMPENSATION TO PALADIN HEALTHCARE LLC.



RENDERING WITH NO ACCESSORIES



RENDERING WITH NO ACCESSORIES



RENDERING WITH ACCESSORIES
(FOR REFERENCE ONLY)



RENDERING WITH ACCESSORIES
(FOR REFERENCE ONLY)

REVOLUTION HEADWALL 8'-0"



**PALADIN
HEALTHCARE**

940 W. Oakland Avenue, A1
Oakland, FL 34787
(407) 614-8781 Office
gschindele@paladinhc.com

PACKAGE:

APPROVAL DATE:

DRAWN BY:
U. VELAZQUEZ

PALADIN HEALTHCARE
REVOLUTION HEADWALL
TYPICAL SOLUTION

SCALE: N.T.S.

REV 2:

DATE: 7-29-20

REV 3:

REV 1:

REV 4:

IE.5

SHEET NO.

COPYRIGHT © 2013 BY PALADIN HEALTHCARE LLC. ALL RIGHTS RESERVED. THIS DOCUMENT IS THE PROPERTY OF PALADIN HEALTHCARE LLC. IT IS TO BE USED ONLY FOR THE SPECIFIC PROJECT IDENTIFIED OR REFERRED TO HEREIN AND IS NOT TO BE USED ON OTHER PROJECTS OR EXTENSIONS TO THIS PROJECT, IN WHOLE OR PART, EXCEPT BY EXPRESS WRITTEN AGREEMENT WITH AND COMPENSATION TO PALADIN HEALTHCARE LLC.