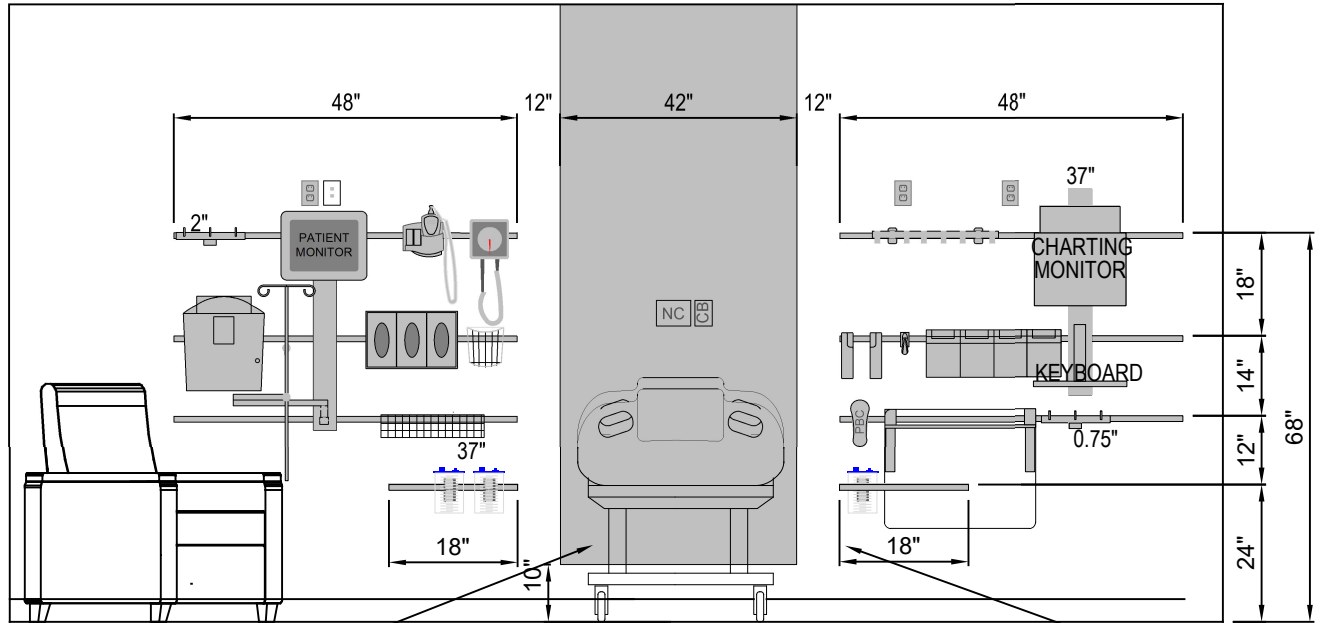




PALADIN HEALTHCARE

PALADIN HEALTHCARE
940 W. OAKLAND AVENUE
OAKLAND, FL 34787
PHONE: (407) 614-8781
FAX: (407) 614-8762
www.paladinhc.com
info@paladinhc.com



GAS AND ELECTRICAL SERVICES ARE LOCATED ON SIDES OF HEADWALL UNIT
OUTLET QUANTITY, PLACEMENT, AND TYPE TO BE SPECIFIED BY END USER.
CONTACT PALADIN FOR ADDITIONAL INFORMATION AND DRAWINGS.

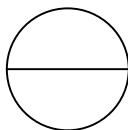
"HALO" VERTICAL HEADWALL

PRICING INCLUDES:

- (3) VACUUM OUTLETS
- (3) MEDICAL AIR OUTLETS
- (3) OXYGEN OUTLETS
- (8) DUPLEX EMERGENCY ELECTRICAL OUTLETS
- (2) NORMAL POWER ELECTRICAL OUTLETS
- (4) LOW VOLTAGE OUTLET PROVISIONS

NOTES:

1. INSTALLATION TO BE COMPLETED IN ACCORDANCE WITH MANUFACTURER'S SPECIFICATIONS.
2. DO NOT SCALE DRAWING.
3. THIS DRAWING IS INTENDED FOR USE BY ARCHITECTS, ENGINEERS, CONTRACTORS, CONSULTANTS AND DESIGN PROFESSIONALS FOR PLANNING PURPOSES ONLY. THIS DRAWING MAY NOT BE USED FOR CONSTRUCTION.
4. ALL INFORMATION CONTAINED HEREIN WAS CURRENT AT THE TIME OF DEVELOPMENT BUT MUST BE REVIEWED AND APPROVED BY THE PRODUCT MANUFACTURER TO BE CONSIDERED ACCURATE.



HALO

ADULT ICU PALADIN TYP ICU HALO