

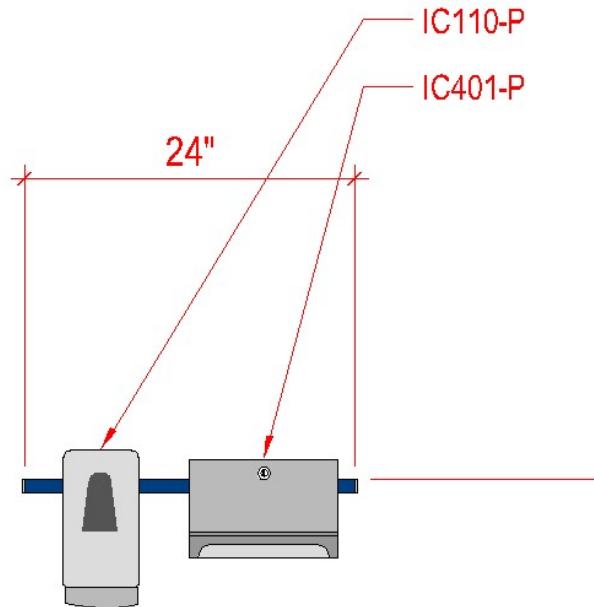


Hole patterns subject change due to 3rd party product changing configurations

JSN Number A1133

Paladin Item Number: DEM801-K-2

A seamless, horizontal, extruded aluminum equipment mounting rail with clear anodized finish containing a groove for attaching a variety of adapters that support various accessories and equipment. Rail is pre-drilled on sixteen-inch centers with two friction-fit end caps. The rail will accommodate a seamless laminate decorative color inlay. Color to be coordinated with interior design palate. The rail system utilizes a series of mounting plates and adapters specific to the device being mounted to the rail. This rail configuration includes specific mounting plates for hand soap and hand sanitizer dispensers, single fold paper towel dispenser, or hands-free sensor paper towel dispenser using a snap action adapter with positive snap attachment lock feature. Adapter plates are aluminum with anti-microbial powder coat painted finish. Accessories requiring heavy-duty capacity will require extruded aluminum adapter(s) and/or wall stand offs for added strength. Towel dispensing device type selection to be made during detailed planning artifact development. The rail system must be capable of mounting and dismounting equipment without leaving or creating new holes in the finished surface of the wall



JSN Number A1133

Paladin Item Number: DEM801-K-2

Kit includes the following:

- R202** **2ft Rail**
- IC110-P (2x)** **Mounting plate for hand soap and sanitizer**
- IC401-P-H** **Mounting plate for paper towel dispenser, sensor**

Item Description:

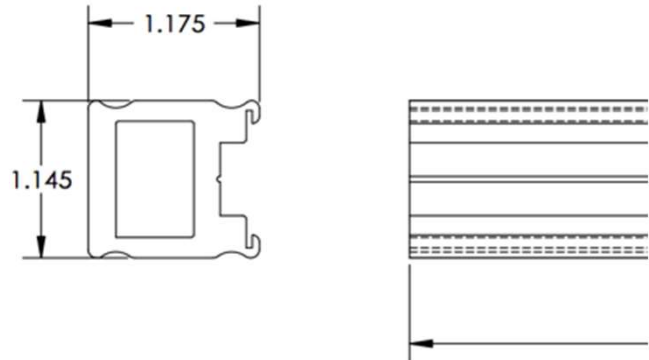
- Mounts to “EVOLUTION,” Fairfield-style Medical Equipment Management Rail using a snap action adapter with positive snap attachment lock feature.
- Integrated Allen screws provide the ability to lock the adapter in place on rail.
- Standard adapters are plastic with embedded anti-microbial compound.
- Adapter Plates are aluminum with an anti-microbial powder coat painted finish (AMF).
- Alternate mounting kits available for other manufacturer’s devices. Please contact your Sales Representative.
- Accessories now available for Modular, Hill-Rom/Wittrock and AMICO Style Rails.



FOR THE OFFICIAL CSI MASTER FORMAT SPECIFICATION, PLEASE REQUEST IT FROM THE MANUFACTURER.

SPECIFICATION: EVOLUTION Fairfield-Style Equipment Management Rail By Paladin Healthcare™ LLC

PART NUMBER: R-2XX



** Image shown is a seamless fit in a modular casework application and does not include end caps. **

- **EVOLUTION Equipment Management Rail:** a seamless, extruded aluminum profile with clear anodized finish containing a groove for attaching an adapter that supports the Owner supplied specified hospital accessories and equipment and includes termination caps at each end. The groove and adapters are designed so that the adaptor requires a seven degree tilt for attachment. The rail is designed to accommodate a seamless Wilsonart laminate decorative color inlay the length of the rail up to ten feet in length.
- **EVOLUTION Equipment Management Rail** shall be specified in one to ten foot lengths as shown on drawings or indicated on purchase order to accommodate room conditions. Rail will be cut to exact lengths as indicated. For lengths greater than ten feet, a JOINER piece is used to attach together multiple pieces of rail to meet the required total length. **The length of the rail is nominal for the rail only and does *not* include the end caps. Use of two end caps increases the total length of the rail by ½”.
- **EVOLUTION Equipment Management Rail** is pre-drilled on sixteen-inch centers (minimum) with the exception of a one-foot rail length which has two mounting holes drilled at eight inches on center. The Rail may also be field drilled by the installer to accommodate specific job site conditions.
- End caps shall be constructed of injected molded thermoplastic and shall resist most hospital cleaning and disinfecting chemicals. The color shall be white and molded throughout the material. End caps shall be friction-fit without use of fastening devices.
- Decorative inlay shall be supplied by Paladin for installation by the owner or contractor. Inlay is Wilsonart laminate in the standard finish which will resist most hospital cleaning and disinfecting chemicals. Color shall specified by the Owner. Specialty coating finishes can be made available for additional cost and lead time. Alternate laminate manufacturers may be specified for additional cost and lead time. Contact manufacturer for details.
- Option to powder coat rail with anti-microbial finish (AMF) in select colors. Contact manufacturer for details.



Universal Mounting Plate
for most owner provided wide
body soap / sanitizer
dispensers (dispenser and
sanitizer are not included)

Item Number: IC110-P
JSN Number: A5075-RM
A5077-RM

Dimensions:
7.5”H x 4.5”W x 1”D
Weight: 1lb

Item Description:

- Mounts to “EVOLUTION,” Fairfield-style Medical Equipment Management Rail using a snap action adapter with positive snap attachment lock feature.
- Integrated Allen screws provide the ability to lock the adapter in place on rail.
- Standard adapters are plastic with embedded anti-microbial compound.
- Adapter Plates are aluminum with an anti-microbial powder coat painted finish (AMF).
- Some accessories which require heavy-duty capacity will be provided with extruded aluminum adapter(s) and/or wall stand offs for added strength.
- Some plates have multiple holes to attach future products from different vendors without the need to purchase new plates each time.
- Some plates allowing adaptability to user demand, new codes or new vendor products without going to the wall and adjusting the rail itself.
- Alternate mounting kits available for other manufacturer’s devices. Please contact your Sales Representative.
- Accessories now available for Modular, Hill-Rom/Wittrock and AMICO Style Rails.



Universal Mounting Plates with wall stand offs

for owner provided half size tri-fold paper towel dispensers (i.e. Kimberly Clark, Georgia Pacific)

(Dispenser A5080 is not included)



Item Number: IC401-P
JSN Number: A5080

Dimensions: 2.5”H x 1”D x 1.5”W
Weight: 1lb

Item Description:

- Mounts to “EVOLUTION,” Fairfield-style Medical Equipment Management Rail using a snap action adapter with positive snap attachment lock feature.
- Integrated Allen screws provide the ability to lock the adapter in place on rail.
- Standard adapters are plastic with embedded anti-microbial compound.
- Adapter Plates are aluminum with an anti-microbial powder coat painted finish (AMF).
- Some accessories which require heavy-duty capacity will be provided with extruded aluminum adapter(s) and/or wall stand offs for added strength.
- Some plates have multiple holes to attach future products from different vendors without the need to purchase new plates each time.
- Some plates allowing adaptability to user demand, new codes or new vendor products without going to the wall and adjusting the rail itself.
- Alternate mounting kits available for other manufacturer’s devices. Please contact your Sales Representative.
- Accessories now available for Modular, Hill-Rom/Wittrock and AMICO Style Rails.